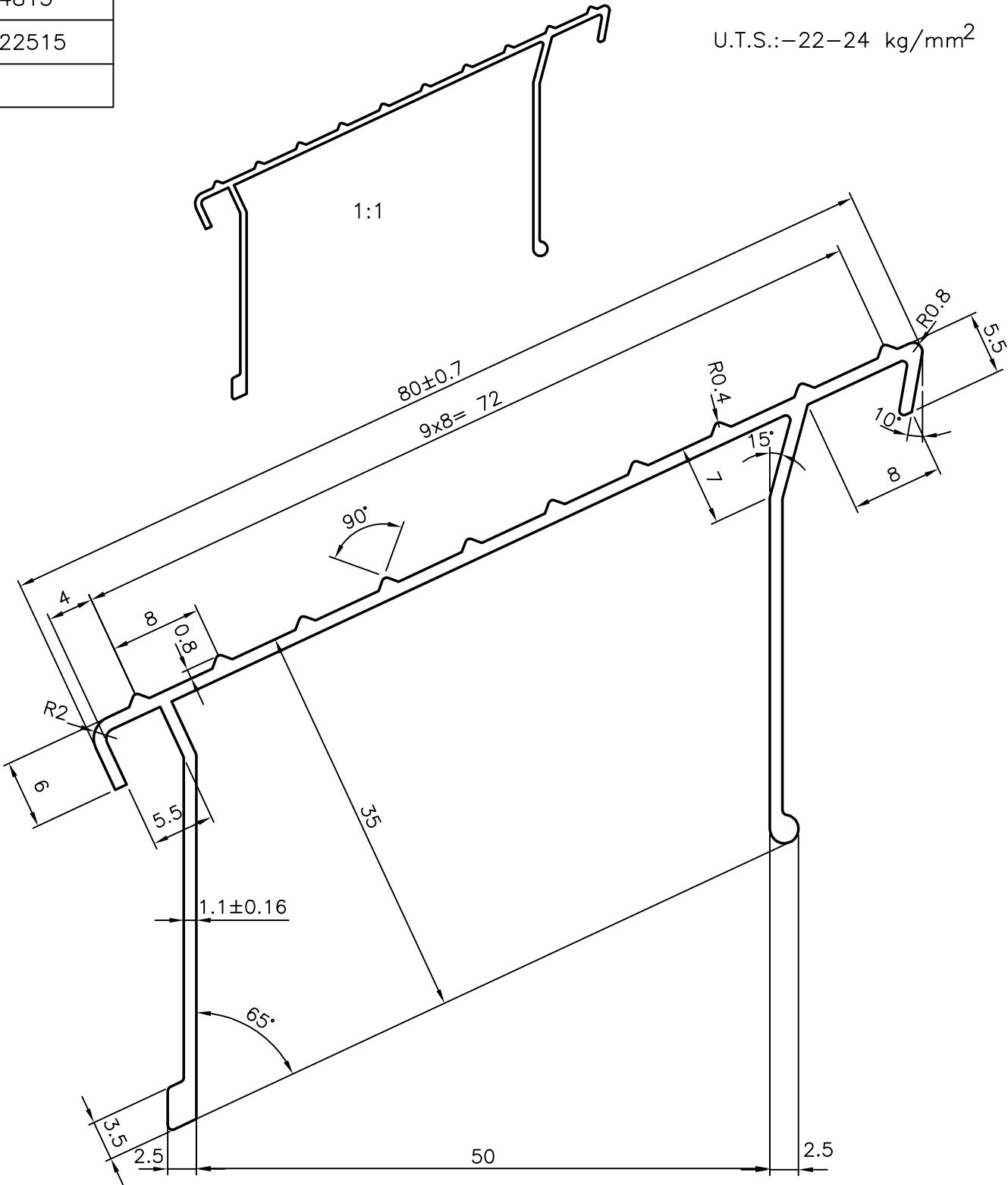



4815
22515

U.T.S.: -22-24 kg/mm<sup>2</sup>



 SYMBOL OF QUALITY AN ISO 9001 COMPANY	<b>JINDAL ALUMINIUM LTD.</b> BANGALORE-560073 (INDIA)	DRAWN	NAME	DATE
		CHECKED	MALINGAPPA	05-01-2006
1. ALL DIMENSIONS ARE IN mm. 2. ROUND OFF ALL SHARP CORNERS WITH 0.40 mm. 3. TOLERANCES WILL BE AS PER IS:3965-1981 UNLESS OTHERWISE SPECIFIED		APPROVED		
		SCALE	2:1	
PARTY'S NAME BATHLA ALUMINIUM PVT.LTD.,BANGALORE		AREA mm <sup>2</sup>	198.05	
		PERIMETER mm.	339.041	
PARTY'S DRAWING No. 3000-SE-03		WEIGHT kg/m	0.535	
		DRAWING No.	SECTION No.	
ALLOY & TEMPER HE9 WP (63400)		4815	4815	
		22515	22515	
DESCRIPTION LADDER SECTION				