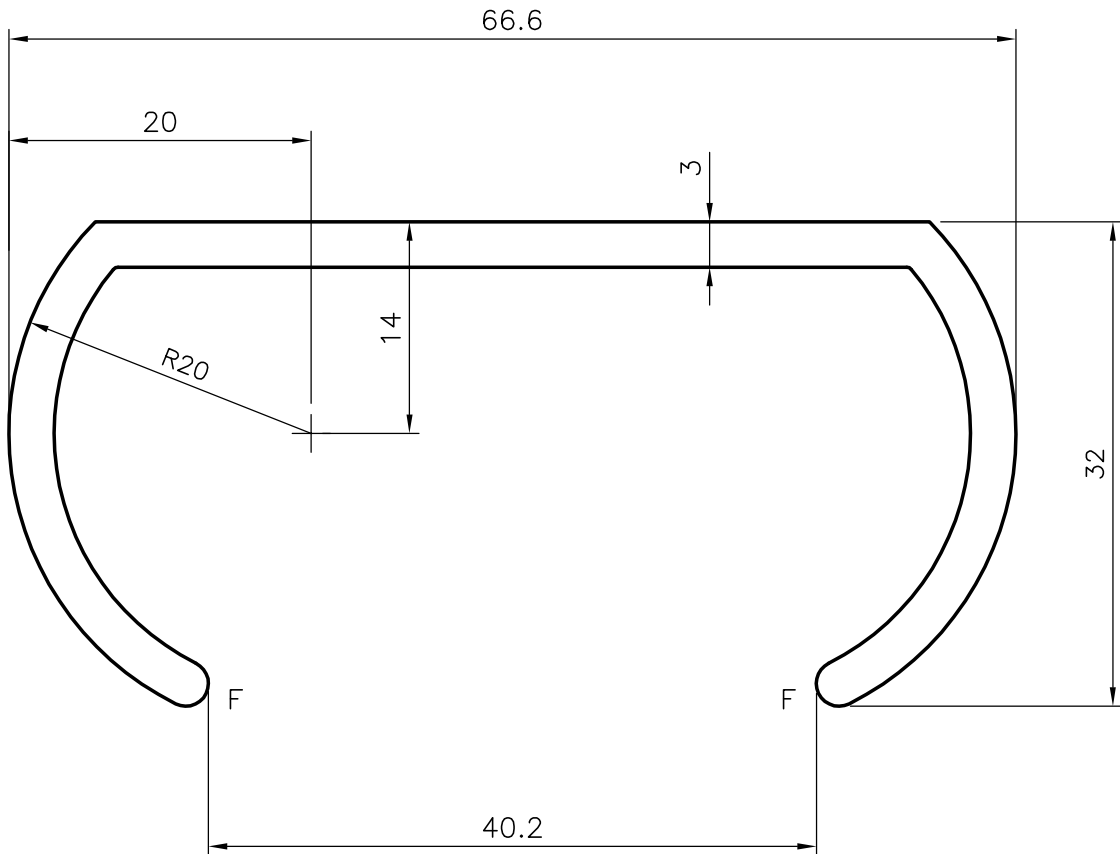
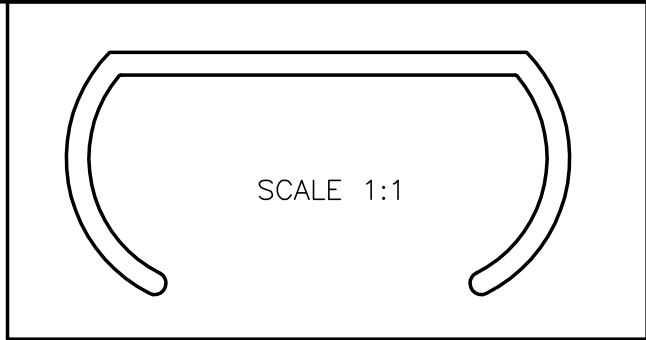



P-3587-1  
4816  
22516



GENERAL WALL THICKNESS = 3.0mm  
F = FULL RADII (2 PLACES)

 SYMBOL OF QUALITY AN ISO 9002 COMPANY	<b>JINDAL ALUMINIUM LTD.</b> BANGALORE-560073 (INDIA)		NAME	DATE
		DRAWN	RAGHAVENDRA	24-11-01
1. ALL DIMENSIONS ARE IN mm. 2. ROUND OFF ALL SHARP CORNERS WITH 0.40 mm. 3. TOLERANCES WILL BE AS PER IS 3965-1981 UNLESS OTHERWISE SPECIFIED		CHECKED		
		APPROVED		
PARTY'S NAME	GENERAL CATEGORY ,. CHENNAI MARKET	SCALE	2:1 & 1:1	
PARTY'S DRAWING No.	AS PER SAMPLE	WEIGHT kg/m	1.009	
ALLOY & TEMPER	HE9 WP	PERIMETER	253.82mm	
DESCRIPTION	LADDER SECTION	SECTION No.	22516	
		DRAWING No.	22516	