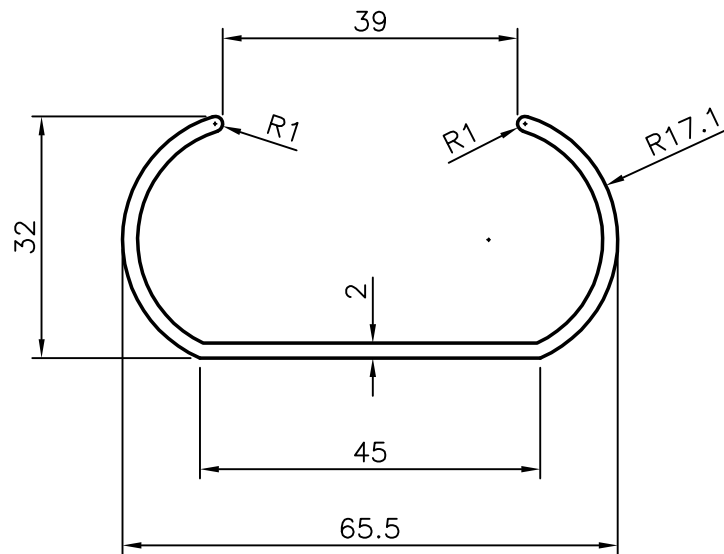


P-4539

4933

22524



SYMBOL OF QUALITY
AN ISO 9001 COMPANY

JINDAL ALUMINIUM LTD.
BANGALORE-560073 (INDIA)

| | NAME | DATE |
|----------|------------|----------|
| DRAWN | MALINGAPPA | 06-11-03 |
| CHECKED | | |
| APPROVED | | |

1. ALL DIMENSIONS ARE IN mm.
2. ROUND OFF ALL SHARP CORNERS WITH 0.40 mm.
3. TOLERANCES WILL BE AS PER IS: 3965-1981 UNLESS OTHERWISE SPECIFIED

| | |
|----------------------|-------|
| SCALE | 1:1 |
| AREA mm ² | 247.5 |
| PERIMETER mm. | 250.6 |
| WEIGHT kg/m | 0.668 |

PARTY'S NAME ASIAN HARDWARE (PTE) LTD., COLOMBO

| DRAWING No. | SECTION No. |
|-------------|-------------|
| P-4539 | - |
| 4933 | 4933 |
| 22524 | 22524 |

PARTY'S DRAWING No. AS PER SAMPLE

ALLOY & TEMPER HE9 WP

DESCRIPTION LADDER SECTION