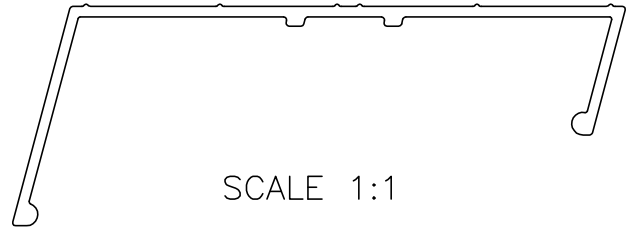


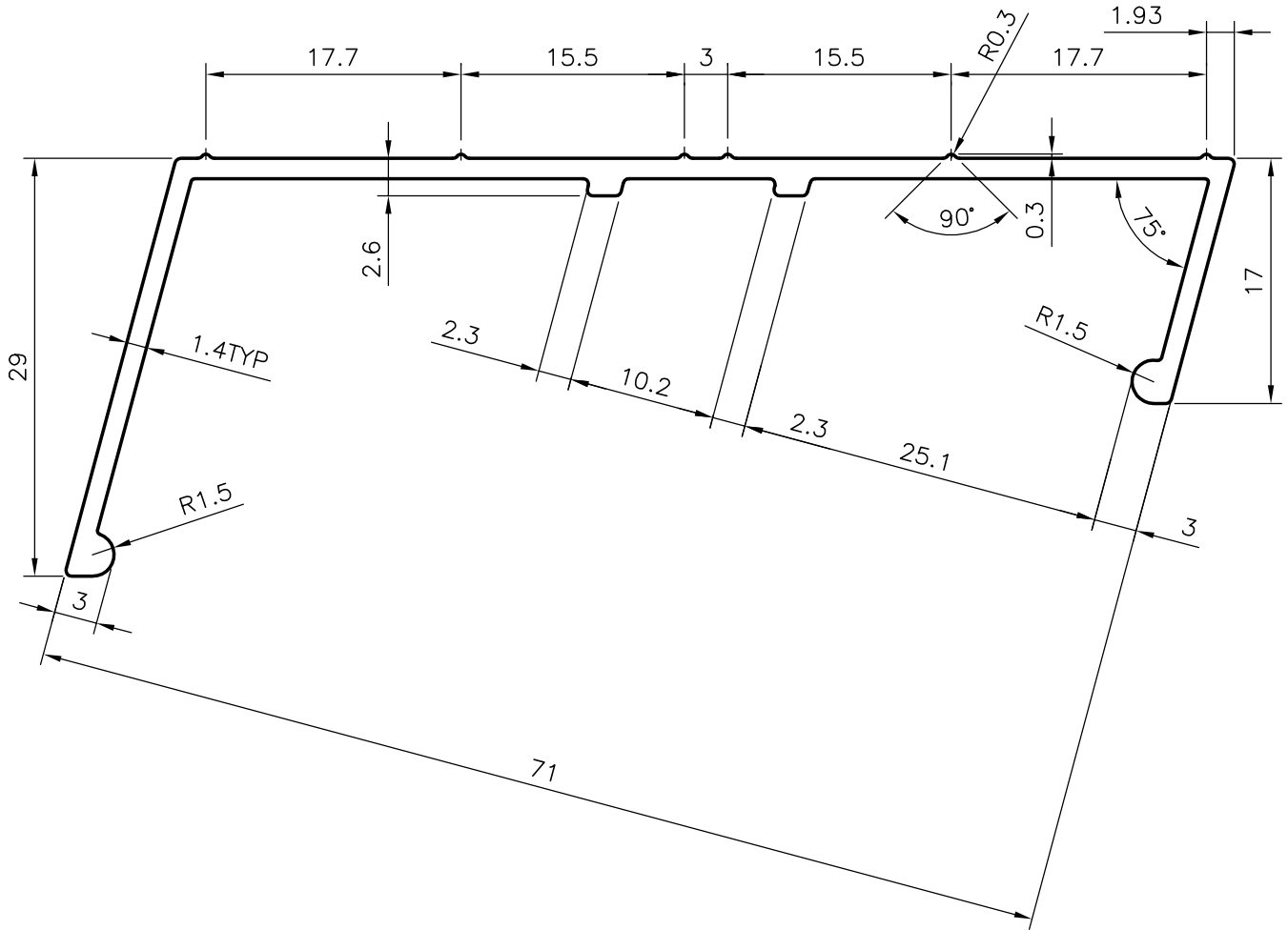
P-4549-2

4934

22525



SCALE 1:1



GENERAL WALL THICKNESS = 1.4mm



SYMBOL OF QUALITY
AN ISO 9002 COMPANY

JINDAL ALUMINIUM LTD.
BANGALORE-560073 (INDIA)

	NAME	DATE
DRAWN	RAGHAVENDRA	08-12-2003
CHECKED		
APPROVED		

1. ALL DIMENSIONS ARE IN mm.
2. ROUND OFF ALL SHARP CORNERS WITH 0.40 mm.
3. TOLERANCES WILL BE AS PER BS: 1474-1987 UNLESS OTHERWISE SPECIFIED

SCALE	2:1 & 1:1
AREA mm ²	179.81
PERIMETER mm.	246.33
WEIGHT kg/m	0.486

PARTY'S NAME	ASIAN HARDWARE (PTE) LTD., COLOMBO
PARTY'S DRAWING No.	AS PER SAMPLE & AS PER REQUIRMENT
ALLOY & TEMPER	HE9 WP
DESCRIPTION	LADDER SECTION

DRAWING No.	SECTION No.
P-4549-2	-
4934	4934
22525	22525