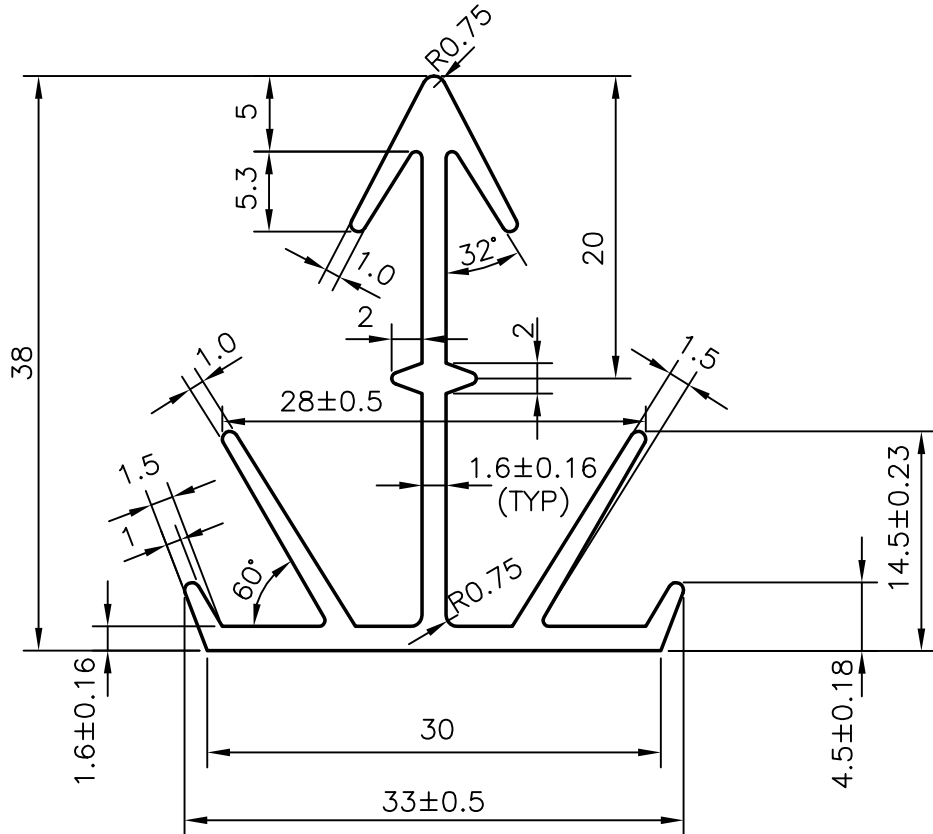
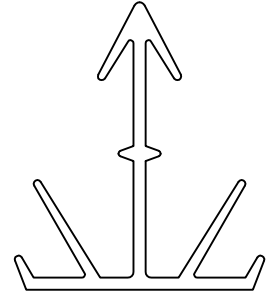


4869

22531



SYMBOL OF QUALITY  
AN ISO 9001 COMPANY

**JINDAL ALUMINIUM LTD.**  
BANGALORE-560073 (INDIA)

	NAME	DATE
DRAWN	J.P.KAUSHIK	20-06-2005
CHECKED		
APPROVED		

1. ALL DIMENSIONS ARE IN mm.
2. ROUND OFF ALL SHARP CORNERS WITH 0.40 mm.
3. TOLERANCES WILL BE AS PER IS: 3965-1981 UNLESS OTHERWISE SPECIFIED

SCALE	2:1
AREA mm <sup>2</sup>	180.657
PERIMETER mm.	235.826
WEIGHT kg/m	0.488

PARTY'S NAME	MADRAS ALUMINIUM (MADRAS)	DRAWING No.	SECTION No.
PARTY'S DRAWING No.	-	4869	4869
ALLOY & TEMPER	HE9 WP	22531	22531
DESCRIPTION	GLAZING BAR		