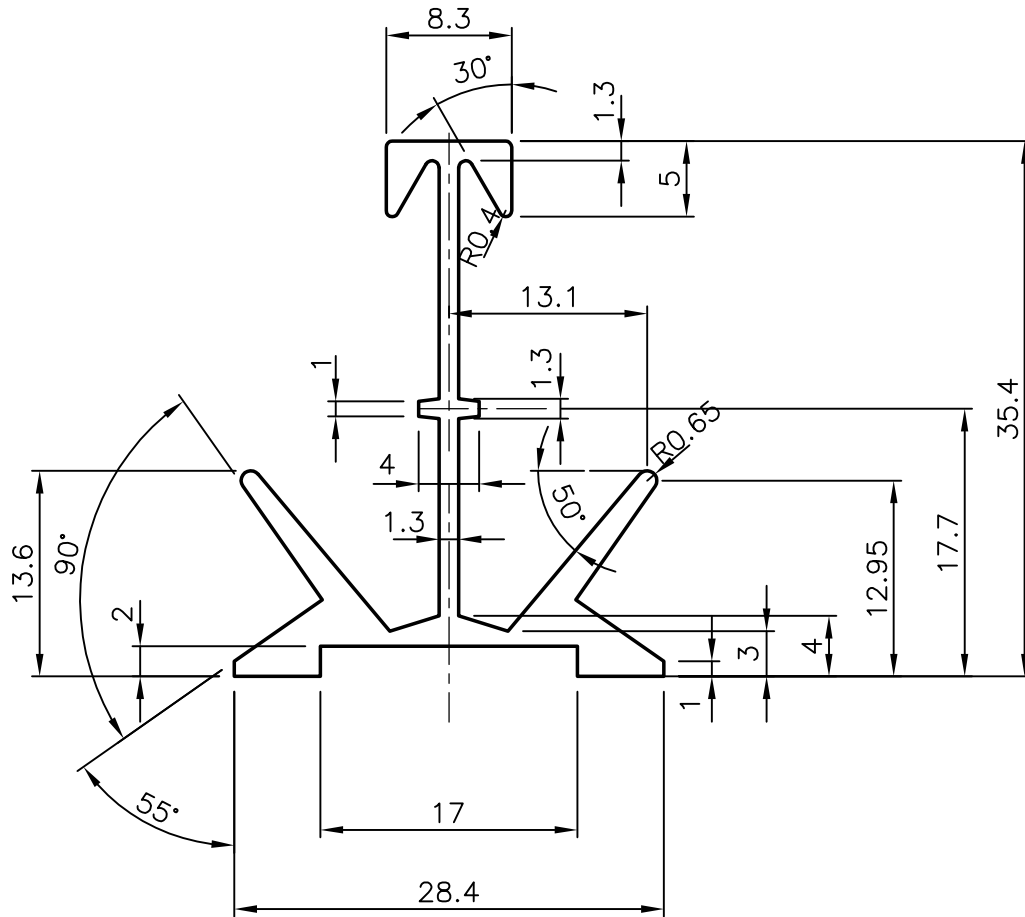
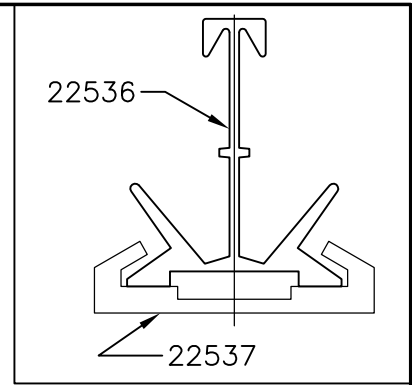


P-759

4877

22536



**JINDAL ALUMINIUM LTD.**  
**BANGALORE-560073**

	NAME	DATE
DRAWN	P,KULKARNI	25-12-98
CHECKED		
APPROVED		

1. ALL DIMENSIONS ARE IN mm.
2. ROUND OFF ALL SHARP CORNERS WITH 0.4 mm.
3. TOLERANCES WILL BE AS PER IS:3965-1981 ,UNLESS OTHERWISE SPECIFIED

PARTY'S NAME	—	SCALE	2:1
PARTY'S DRAWING No.	—	WEIGHT kg/m	0.471
ALLOY & TEMPER	HE9 WP	SECTION No.	22536
LENGTH	3658 mm	DRAWING No.	22536
DESCRIPTION	GLAZING BAR		