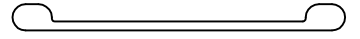
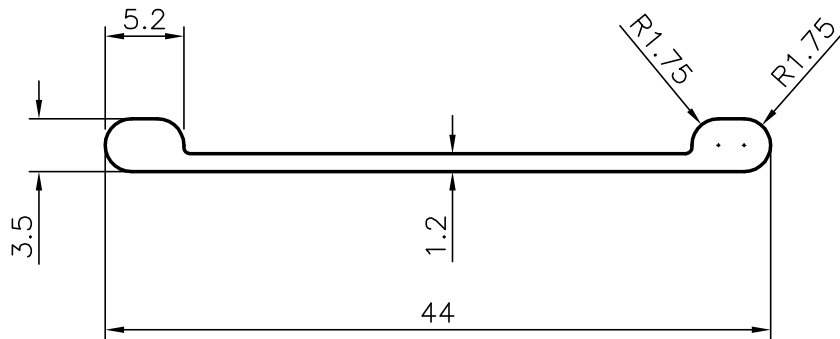


P-4541-1

22545



1:1



SYMBOL OF QUALITY
AN ISO 9001 COMPANY

JINDAL ALUMINIUM LTD.
BANGALORE-560073 (INDIA)

	NAME	DATE
DRAWN	MALINGAPPA	10-11-03
CHECKED		
APPROVED		

1. ALL DIMENSIONS ARE IN mm.
2. ROUND OFF ALL SHARP CORNERS WITH 0.40 mm.
3. TOLERANCES WILL BE AS PER BS: 1474-1987 UNLESS OTHERWISE SPECIFIED

SCALE	2:1
AREA mm ²	72.9
PERIMETER mm.	94.8
WEIGHT kg/m	0.197

PARTY'S NAME	ASIAN HARDWARE (PTE) LTD., COLOMBO
PARTY'S DRAWING No.	AS PER SAMPLE
ALLOY & TEMPER	6063 T6
DESCRIPTION	LADDER SECTION

DRAWING No.	SECTION No.
P-4541-1	-
22545	22545