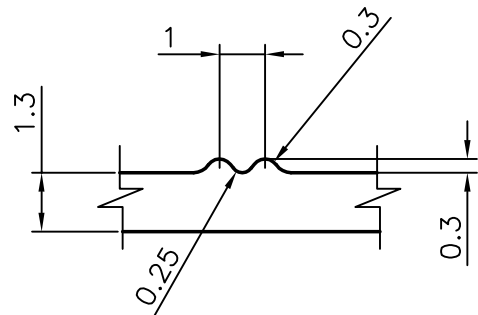
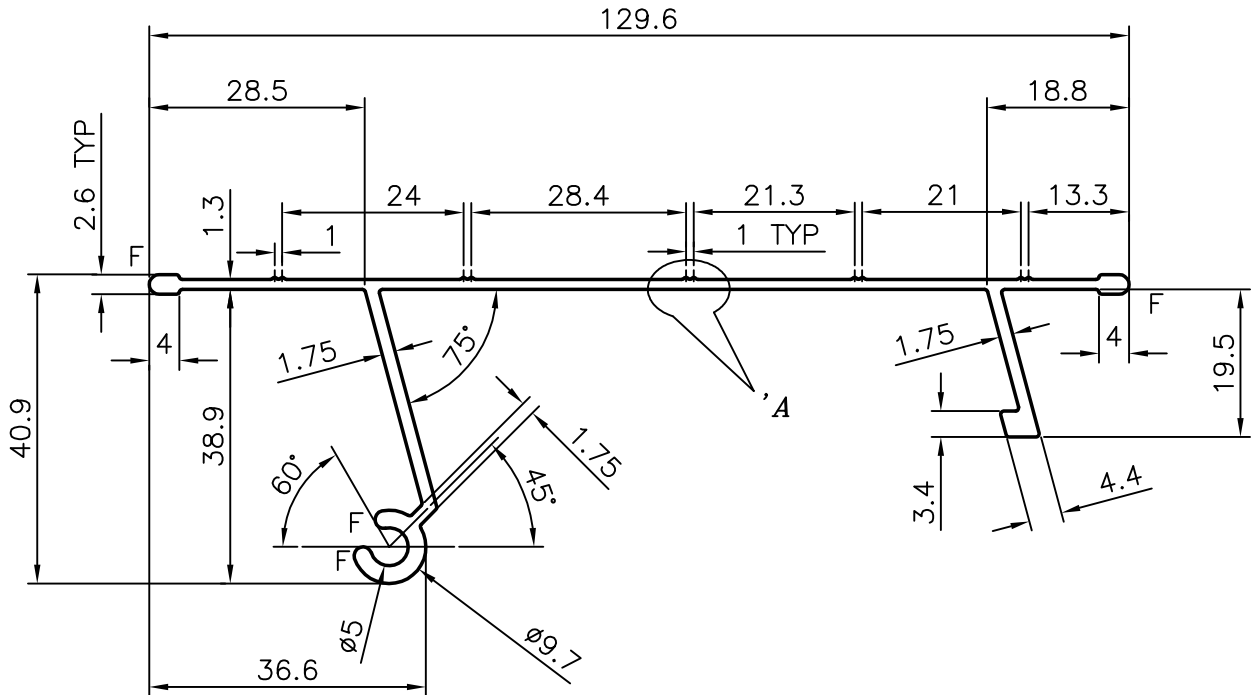


P-4561

22547

F = FULL RADIUS



DETAIL - A



SYMBOL OF QUALITY  
AN ISO 9001 COMPANY

**JINDAL ALUMINIUM LTD.**  
BANGALORE-560073 (INDIA)

	NAME	DATE
DRAWN	MALINGAPPA	05-11-2003
CHECKED		
APPROVED		

1. ALL DIMENSIONS ARE IN mm.
2. ROUND OFF ALL SHARP CORNERS WITH 0.40 mm.
3. TOLERANCES WILL BE AS PER BS:1474-1987 UNLESS OTHERWISE SPECIFIED

SCALE	1:1
AREA mm <sup>2</sup>	324.1
PERIMETER mm.	411.6
WEIGHT kg/m	0.875

PARTY'S NAME ASIAN HARDWARE (PTE) LTD., COLOMBO

DRAWING No. SECTION No.

PARTY'S DRAWING No. AS PER SAMPLE

P-4561 -

ALLOY & TEMPER 6063 T6

22547 22547

DESCRIPTION LADDER SECTION