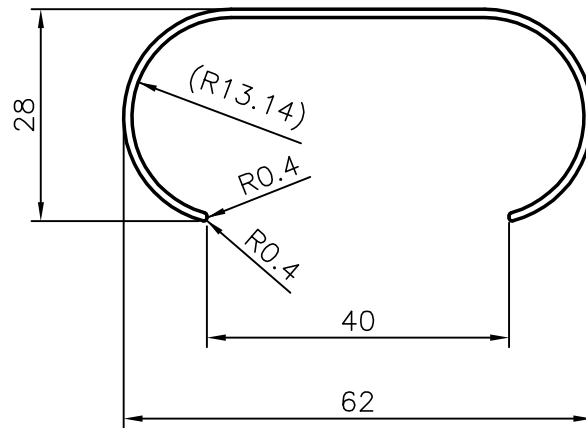



P-4165
X269
22552



GENERAL WALL THICKNESS 1.10 mm

 SYMBOL OF QUALITY AN ISO 9002 COMPANY	<b>JINDAL ALUMINIUM LTD.</b> <i>BANGALORE-560073 (INDIA)</i>		NAME	DATE
		DRAWN	SUDIP ROY	05.03.2003
		CHECKED		
1. ALL DIMENSIONS ARE IN mm. 2. ROUND OFF ALL SHARP CORNERS WITH 0.40 mm. 3. TOLERANCES WILL BE AS PER IS: 3965-1981 UNLESS OTHERWISE SPECIFIED		APPROVED		
		SCALE	1:1	
		AREA mm <sup>2</sup>	124.147	
PARTY'S NAME	ALUMINIUM PRODUCTS CENYRE, TRICHUR	PERIMETER mm.	227.490	
PARTY'S DRAWING No.	AS PER SUPPLIED SKETCH	WEIGHT kg/m	0.335	
ALLOY & TEMPER	HE9WP	SECTION No.	22552	
DESCRIPTION	LADDER SECTION	DRAWING No.	22552	