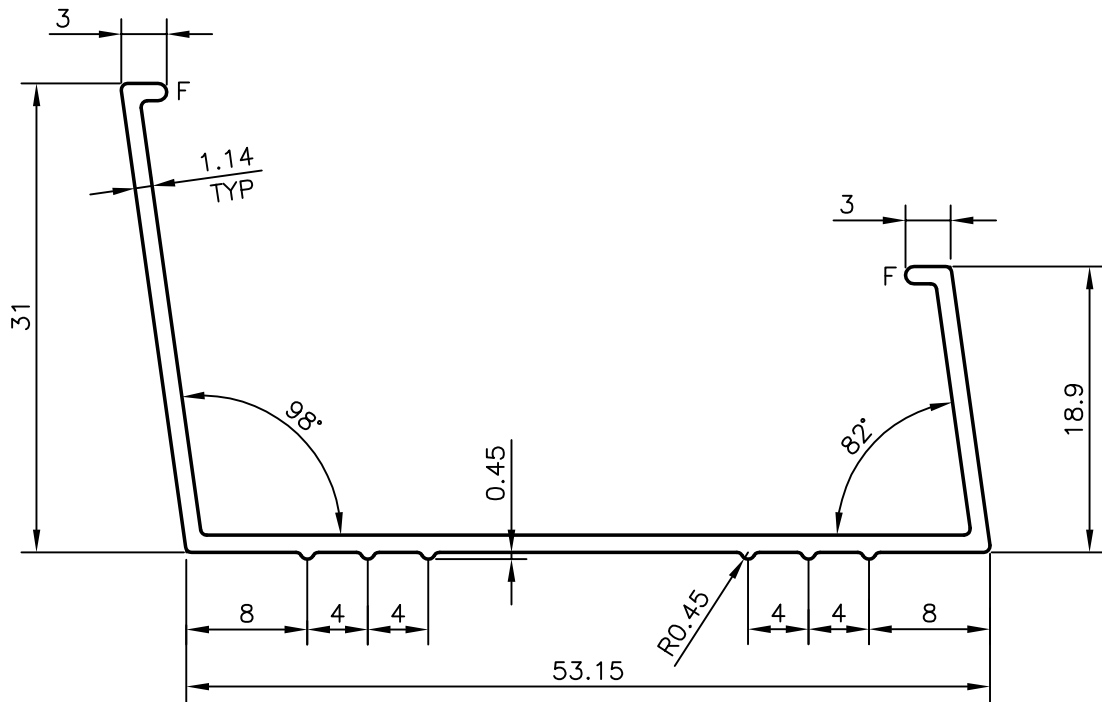
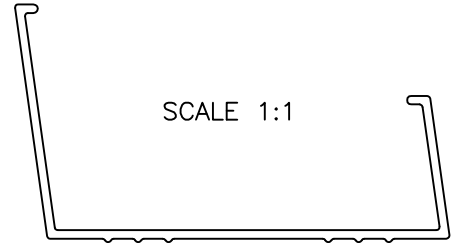


P-9720

22565



F = FULL RADIUS (2 PLACES)
 GENERAL WALL THICKNESS = 1.14mm
 FOR 3658mm LONG PIECE WEIGHT = 1.200 Kg (AVERAGE)



SYMBOL OF QUALITY
 AN ISO 9001 COMPANY

JINDAL ALUMINIUM LTD.
 BANGALORE-560073 (INDIA)

	NAME	DATE
DRAWN	RAGHAVENDRA	04-01-2010
CHECKED		
APPROVED		

1. ALL DIMENSIONS ARE IN mm.
2. ROUND OFF ALL SHARP CORNERS WITH 0.50 mm.
3. TOLERANCES WILL BE AS PER IS:3965-1981 UNLESS OTHERWISE SPECIFIED

SCALE	2:1
AREA mm ²	121.56
PERIMETER mm.	212.001
WEIGHT kg/m	0.328

PARTY'S NAME	GENERAL CATEGORY, COCHIN MARKET
PARTY'S DRAWING No.	LIGHTER SECTION OF 17564
ALLOY & TEMPER	6063 T6
DESCRIPTION	LADDER SECTION

DRAWING No.	SECTION No.
P-9720	-
22565	22565