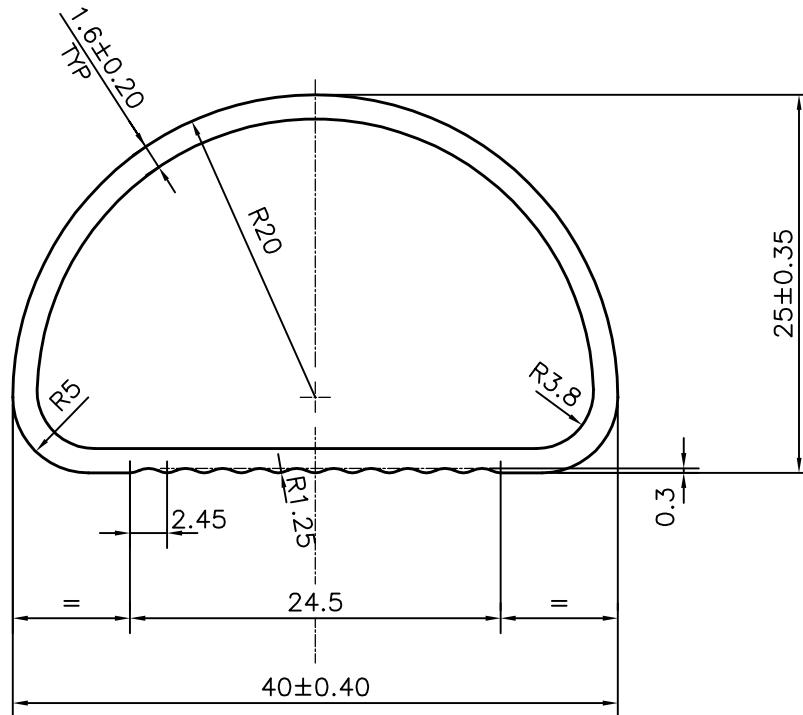
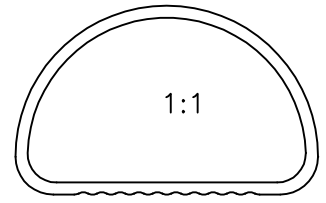


P-14202

22576



SYMBOL OF QUALITY
AN ISO 9001 COMPANY

JINDAL ALUMINIUM LTD.
BANGALORE-560073 (INDIA)

	NAME	DATE
DRAWN	J.P.KAUSHIK	03-12-2014
CHECKED		
APPROVED	S.S.GARG	10-12-2014

1. ALL DIMENSIONS ARE IN mm.
2. ROUND OFF ALL SHARP CORNERS WITH 0.40 mm.
3. TOLERANCES WILL BE AS PER IS:6477-1983 UNLESS OTHERWISE SPECIFIED

SCALE	2:1
AREA mm ²	163.15
PERIMETER mm.	109.508
WEIGHT kg/m	0.441

PARTY'S NAME	GENERAL CATEGORY, MUMBAI MARKET	DRAWING No.	P-14202	SECTION No.	-
PARTY'S DRAWING No.	SP-7471		22576		22576
ALLOY & TEMPER	HE9 WP				
DESCRIPTION	LADDER SECTION-TUBE				