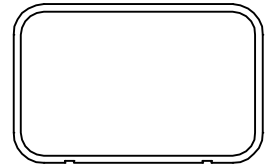
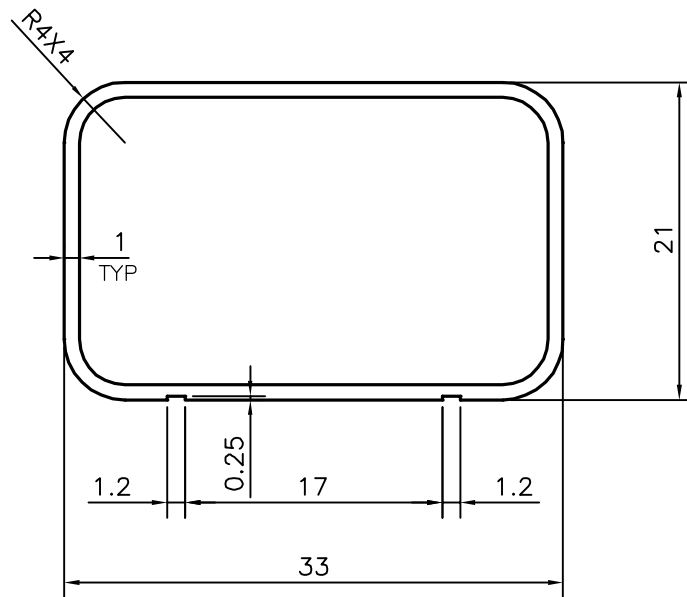


P-14471-1

22577



1:1



SYMBOL OF QUALITY
AN ISO 9001 COMPANY

JINDAL ALUMINIUM LTD.
BANGALORE-560073 (INDIA)

	NAME	DATE
DRAWN	J.P.KAUSHIK	26-03-2015
CHECKED		
APPROVED	S.S.GARG	27-04-2015
SCALE		2:1
AREA mm ²		97.391
PERIMETER mm.		102.133
WEIGHT kg/m		0.263
DRAWING No.		SECTION No.
P-14471-1		-
22577		22577

1. ALL DIMENSIONS ARE IN mm.
2. ROUND OFF ALL SHARP CORNERS WITH 0.40 mm.
3. TOLERANCES WILL BE AS PER, IS:6477-1983 UNLESS OTHERWISE SPECIFIED

PARTY'S NAME	GENERAL CATEGORY, DELHI MARKET
PARTY'S DRAWING No.	AS PER SAMPLE & REQUIREMENT
ALLOY & TEMPER	HE9 WP
DESCRIPTION	RECTANGULAR TUBE WITH CORNER RADIUS