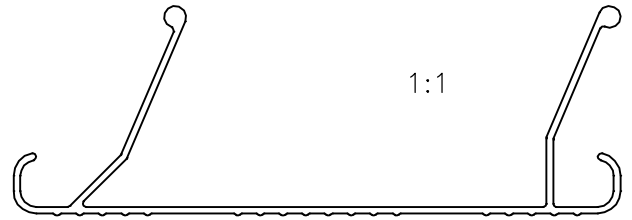
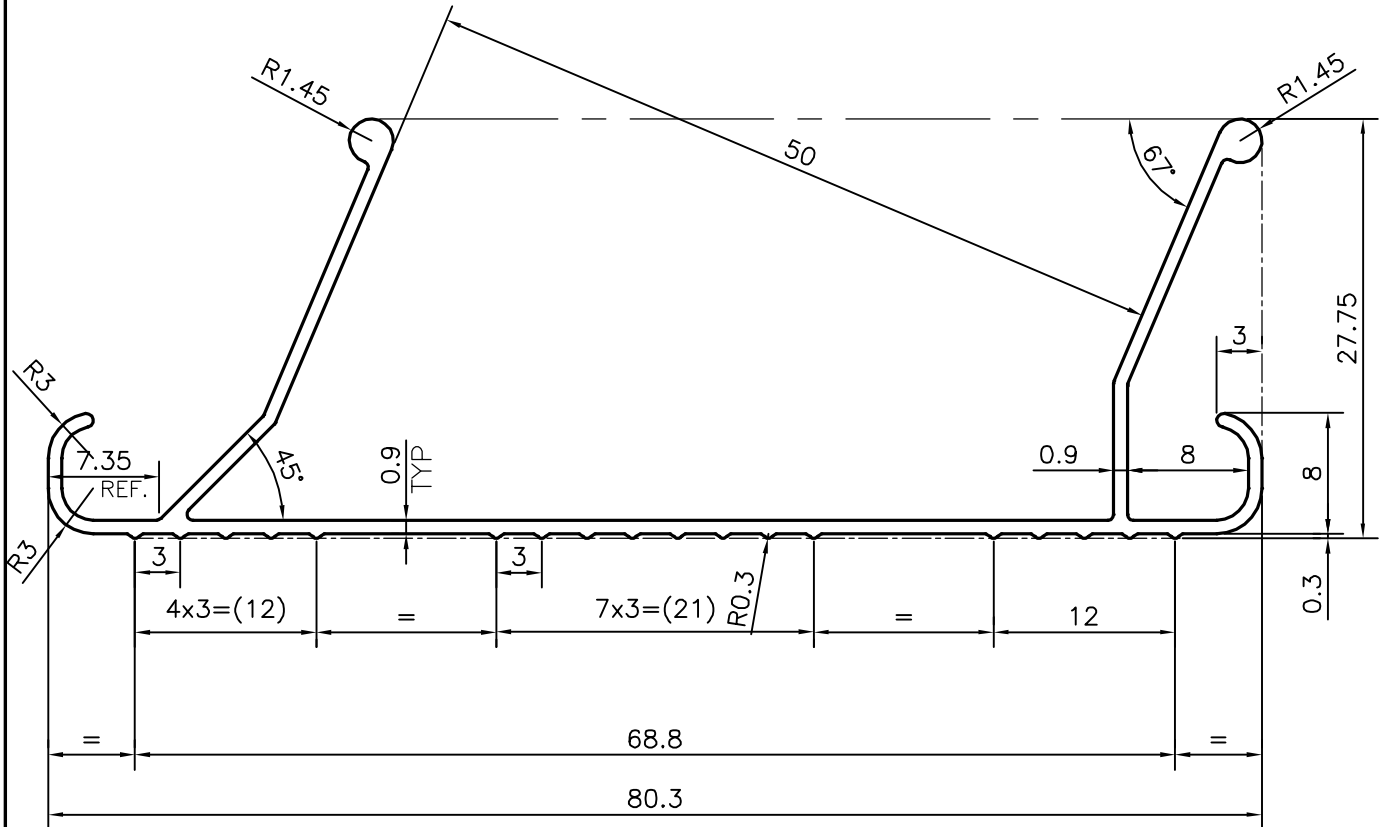


P-14561

22581



1:1



SYMBOL OF QUALITY
AN ISO 9001 COMPANY

JINDAL ALUMINIUM LTD.
BANGALORE-560073 (INDIA)

	NAME	DATE
DRAWN	J.P.KAUSHIK	28-04-2015
CHECKED		
APPROVED	S.S.GARG	29-04-2015
SCALE		2:1
AREA mm ²		149.694
PERIMETER mm.		313.448
WEIGHT kg/m		0.404
DRAWING No.	SECTION No.	
P-14561	-	
22581	22581	

1. ALL DIMENSIONS ARE IN mm.
2. ROUND OFF ALL SHARP CORNERS WITH 0.40 mm.
3. TOLERANCES WILL BE AS PER, IS:3965-1981 UNLESS OTHERWISE SPECIFIED

PARTY'S NAME	GENERAL CATEGORY, DELHI MARKET
PARTY'S DRAWING No.	AS PER DRAWING
ALLOY & TEMPER	HE9 WP
DESCRIPTION	LADDER SECTION