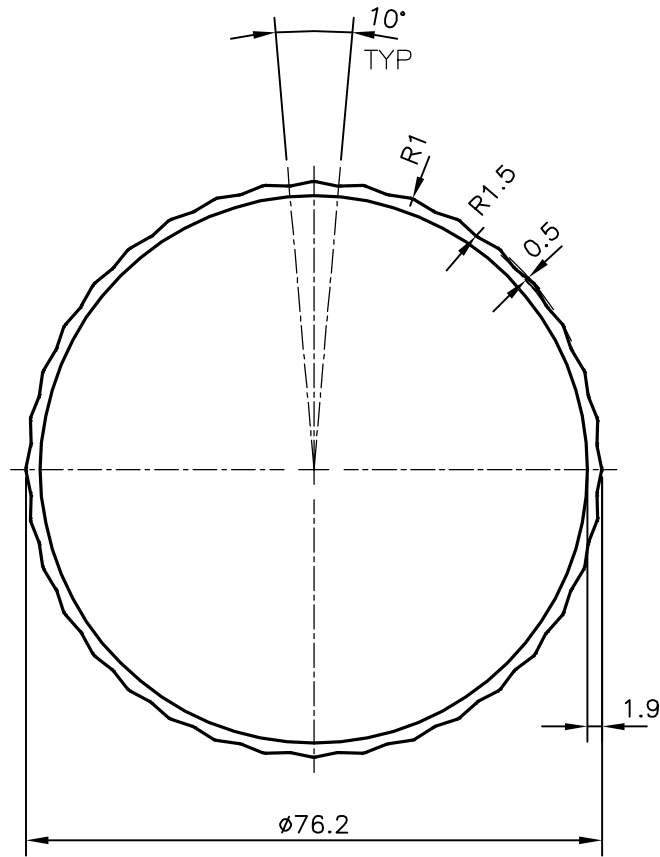


P-15292

S4725

22585



SYMBOL OF QUALITY
AN ISO 9001 COMPANY

JINDAL ALUMINIUM LTD.
BANGALORE-560073 (INDIA)

	NAME	DATE
DRAWN	J.P.KAUSHIK	06-11-2015
CHECKED		
APPROVED	S.S.GARG	07-11-2015
SCALE		1:1
AREA mm ²		379.146
PERIMETER mm.		240.566
WEIGHT kg/m		1.024
DRAWING No.	SECTION No.	
P-15292	-	
S4725	S4725	
22585	22585	

1. ALL DIMENSIONS ARE IN mm.
2. ROUND OFF ALL SHARP CORNERS WITH 0.40 mm.
3. TOLERANCES WILL BE AS PER IS:6477-1983 , UNLESS OTHERWISE SPECIFIED

PARTY'S NAME	SRS AGRO SERVICE, UTTARKANNADA
PARTY'S DRAWING No.	AS PER DRAWING
ALLOY & TEMPER	HE9 WP
DESCRIPTION	LADDER SECTION