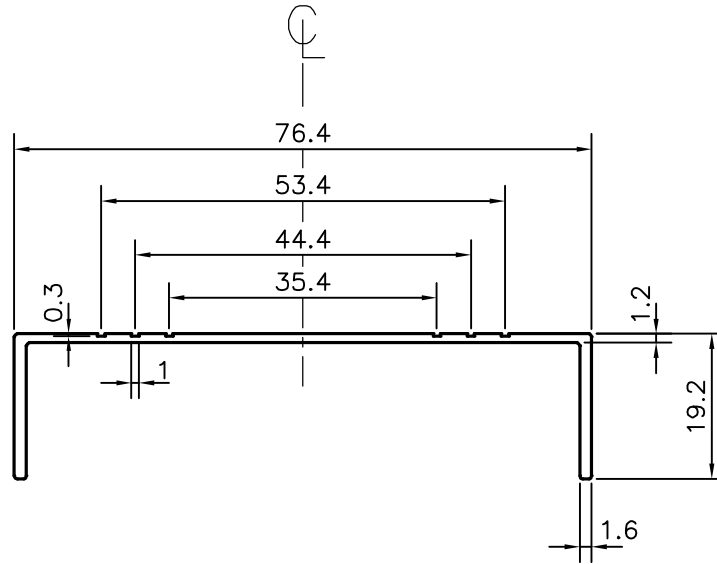


P-15904-1

22589



SYMBOL OF QUALITY
AN ISO 9001 COMPANY

JINDAL ALUMINIUM LTD.
BANGALORE-560073 (INDIA)

	NAME	DATE
DRAWN	J.P.KAUSHIK	06-06-2016
CHECKED		
APPROVED	S.S. GARG	16-06-2016
SCALE		1:1
AREA mm ²		147.343
PERIMETER mm.		229.427
WEIGHT kg/m		0.398
DRAWING No.	SECTION No.	
P-15904-1	-	
22589	22589	

1. ALL DIMENSIONS ARE IN mm.
2. ROUND OFF ALL SHARP CORNERS WITH 0.40 mm.
3. TOLERANCES WILL BE AS PER,BS:EN-755-9 UNLESS OTHERWISE SPECIFIED

PARTY'S NAME	ASIAN HARDWARE (PTE) LTD,. COLOMBO
PARTY'S DRAWING No.	MODIFIED OF 15707 & REQUIREMENT
ALLOY & TEMPER	6063 T6
DESCRIPTION	CHANNEL-MISC.