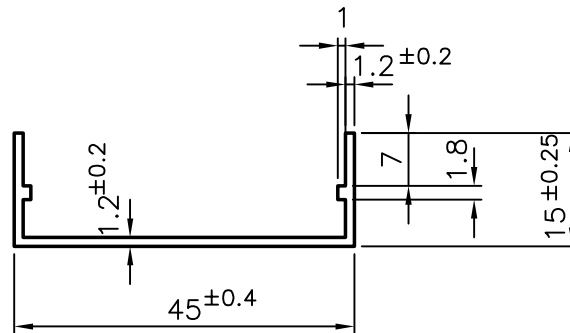


4561

10637

22704



SYMBOL OF QUALITY
AN ISO 9002 COMPANY

JINDAL ALUMINIUM LTD.
BANGALORE-560073 (INDIA)

	NAME	DATE
DRAWN	R.D.SHARMA	28-1-91
CHECKED		
APPROVED		

-

FINISH

-

HE 9 WP

LENGTH:

3658mm

ARCHITECTURAL SECTION

DRAWING No.

22704

1. ALL DIMENSIONS ARE IN mm
2. ROUND OFF SHARP CORNERS WITH 0.4mm R
3. TOLERANCES WILL BE AS PER IS : 3965-1981

SECTION No.

22704