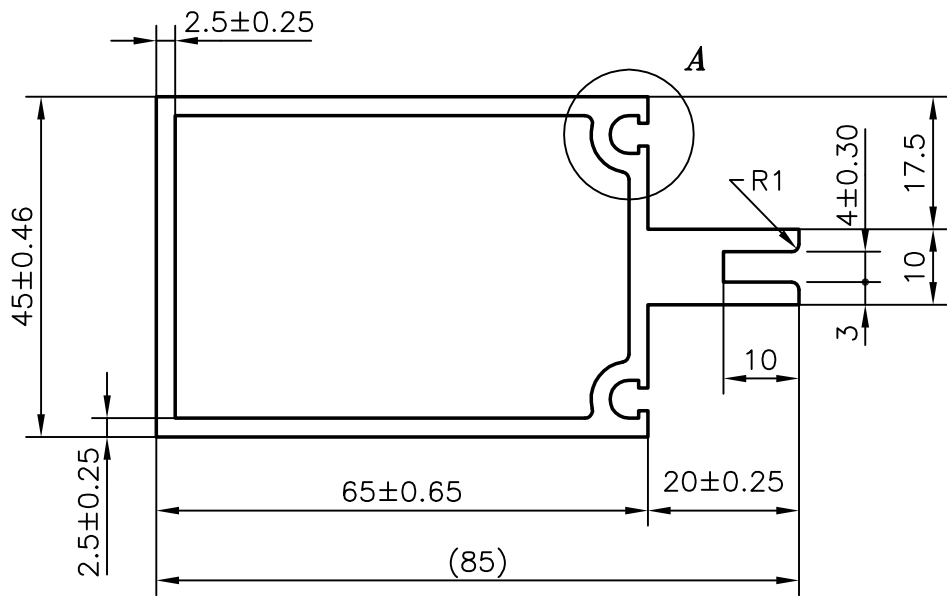
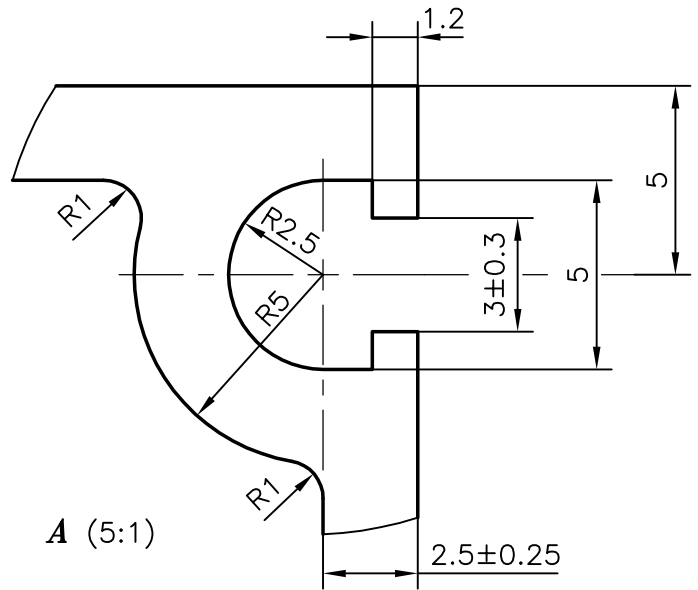


4562
10638
22705



JINDAL ALUMINIUM LTD.
BANGALORE-560073

1. ALL DIMENSIONS ARE IN mm.
2. ROUND OFF ALL SHARP CORNERS WITH 0.4 mm.
3. TOLERANCES WILL BE AS PER IS: 6477-1983 ,UNLESS OTHERWISE SPECIFIED

		NAME	DATE
		DRAWN	R.D.Sharma
PARTY'S NAME		FABEL CORPORATION, MADRAS	CHECKED
PARTY'S DRAWING No.		-	APPROVED
ALLOY & TEMPER		HE9 WP	SCALE
LENGTH		3658 mm.	1:1 & 5:1
DESCRIPTION		ARCHITECTURAL SECTION	WEIGHT kg/m
			1.915
			SECTION No.
			22705
			DRAWING No.
			22705