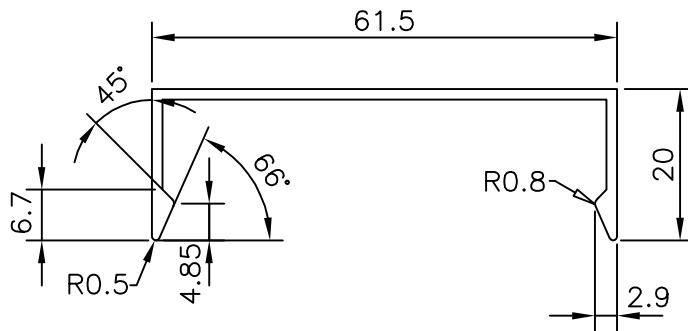


4568

10641

22707



GENERAL WALL THICKNESS:-1.40 mm.

JINDAL ALUMINIUM LTD.
BANGALORE-560073

NAME

DATE

DRAWN

R.D.Sharma

17-8-95

CHECKED

APPROVED

1. ALL DIMENSIONS ARE IN mm.
2. ROUND OFF ALL SHARP CORNERS WITH 0.4 mm.
3. TOLERANCES WILL BE AS PER IS : 3965-1981
UNLESS OTHERWISE SPECIFIED

PARTY'S NAME

APEX TRADING ESTABLISHMENT,DUBAI

SCALE

1:1

PARTY'S DRAWING No.

-

WEIGHT kg/m

0.395

ALLOY & TEMPER

HE9 WP (6063 T6)

SECTION No.

22707

LENGTH

5850 mm.

DRAWING No.

DESCRIPTION

COVER SECTION

22707