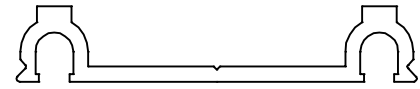


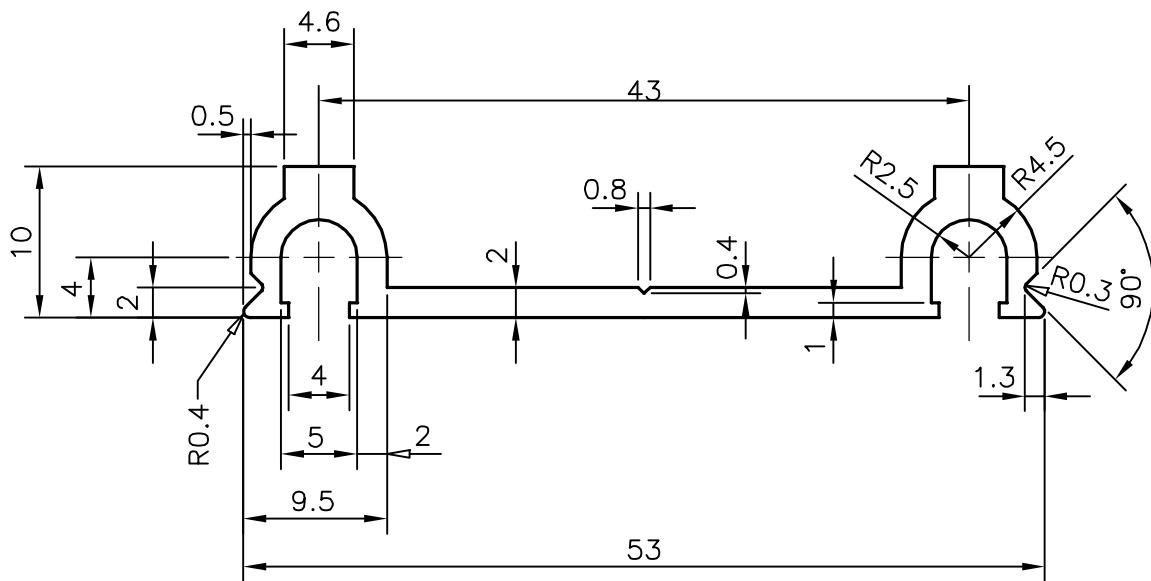
4580

10645

22711



1:1



SYMBOL OF QUALITY
AN ISO 9002 COMPANY

JINDAL ALUMINIUM LTD.
BANGALORE-560073 (INDIA)

	NAME	DATE
DRAWN	J.P.KAUSHIK	12-09-2005
CHECKED		
APPROVED		

1. ALL DIMENSIONS ARE IN mm.
2. ROUND OFF ALL SHARP CORNERS WITH 0.40 mm.
3. TOLERANCES WILL BE AS PER IS: 6477-1983 UNLESS OTHERWISE SPECIFIED

SCALE	2:1
AREA mm ²	160.573
PERIMETER mm.	162.696
WEIGHT kg/m	0.434

PARTY'S NAME	GENERAL CATGORY	DRAWING No.	SECTION No.
PARTY'S DRAWING No.	-	4580	4580
ALLOY & TEMPER	HE9 WP	10645	10645
		22711	22711
DESCRIPTION	ARCHITECTURAL SECTION		