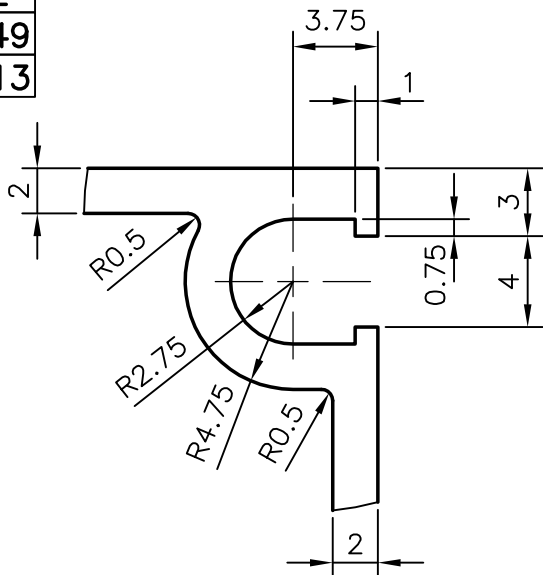
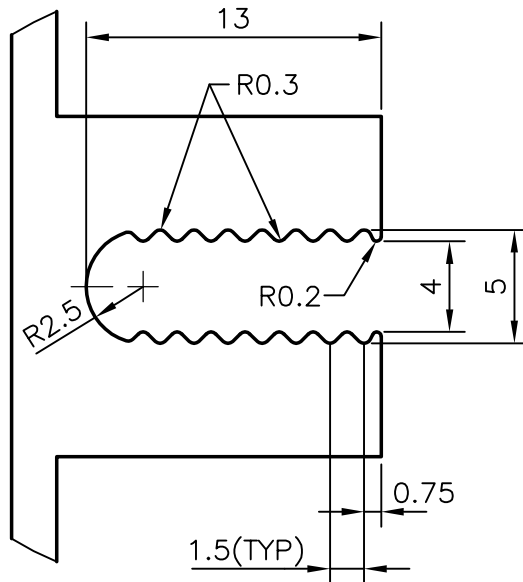


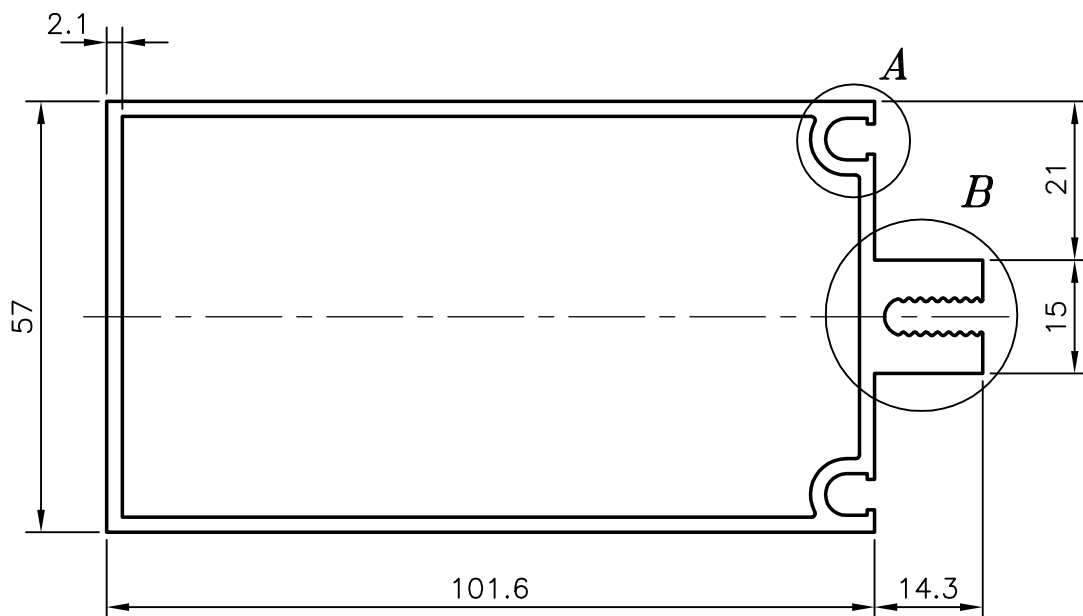
4592  
10649  
22713



A (3:1)



B (3:1)



WEIGHT PER PIECE :- 8.000 kgs (AVERAGE)

**JINDAL ALUMINIUM LTD.**  
**BANGALORE-560073**

	NAME	DATE
DRAWN	R.D.Sharma	01-04-98
CHECKED		
APPROVED		

1. ALL DIMENSIONS ARE IN mm.  
2. ROUND OFF ALL SHARP CORNERS WITH 0.4 mm.  
3. TOLERANCES WILL BE AS PER IS: 6477-1983 ,UNLESS OTHERWISE SPECIFIED

PARTY'S NAME	GENERAL CATEGORY	SCALE	1:1 & 3:1
PARTY'S DRAWING No.	NIL	WEIGHT kg/m	2.187
ALLOY & TEMPER	HE9 WP	SECTION No.	22713
LENGTH	3658 mm.	DRAWING No.	22713
DESCRIPTION	ARCHITECTURAL SECTION		