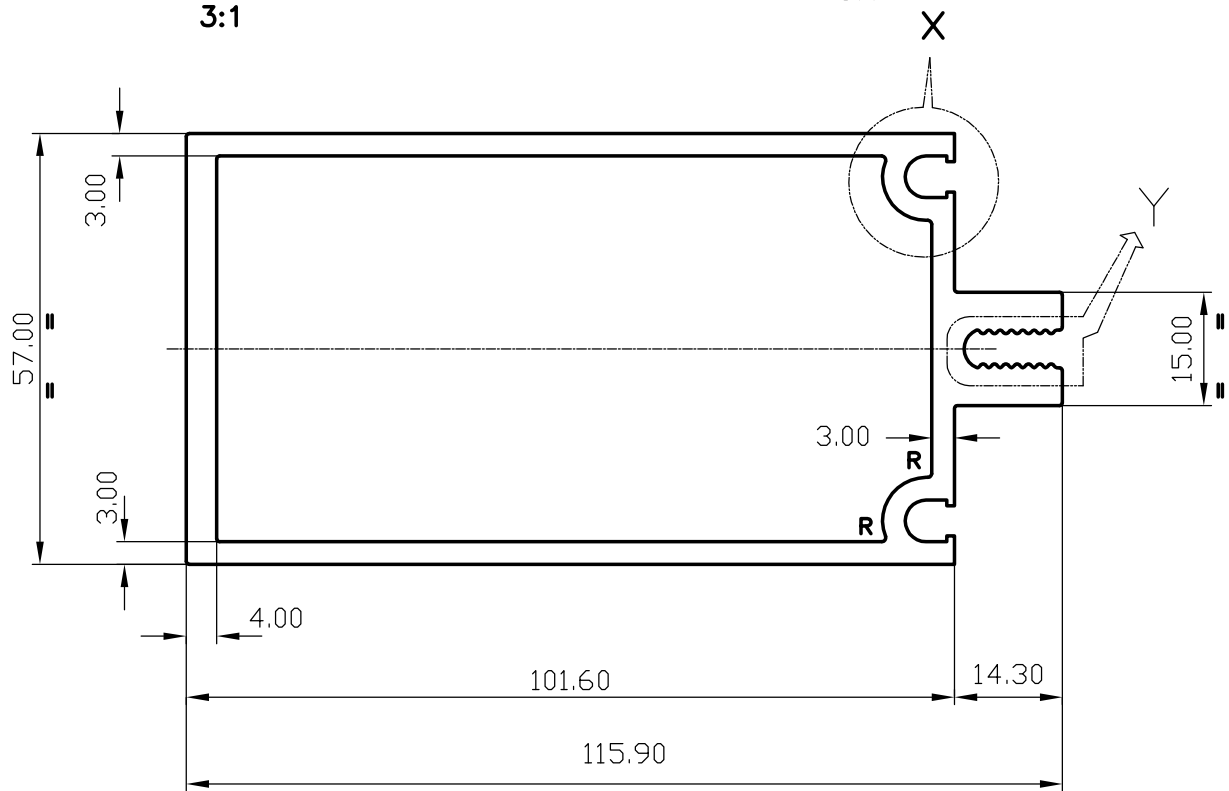
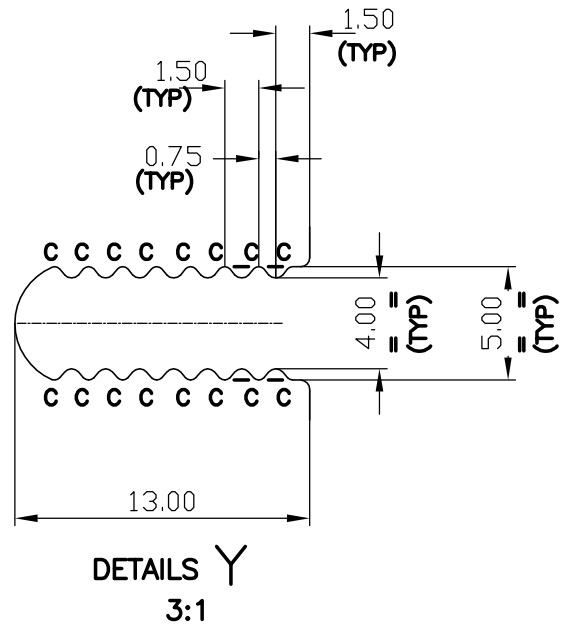
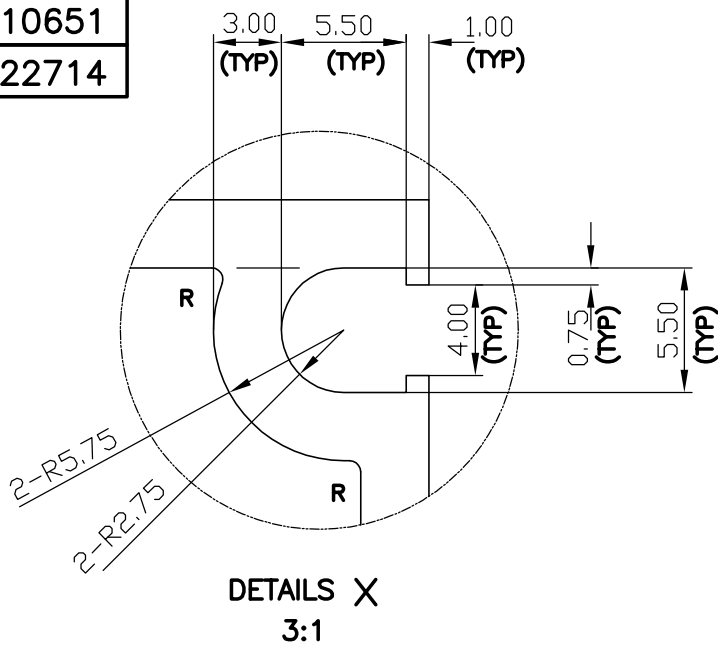


4598  
10651  
22714



C = RADII 0.30 (16)  
R = RADII 0.50 (4)

**JINDAL ALUMINIUM LTD.**  
BANGALORE-560073

1. ALL DIMENSIONS ARE IN mm.
2. ROUND OFF ALL SHARP CORNERS WITH 0.4 mm.
3. TOLERANCES WILL BE AS PER IS: 6477-1983 UNLESS OTHERWISE SPECIFIED

	NAME	DATE
DRAWN	P,KULKARNI	24-7-99
CHECKED		
APPROVED		
SCALE	1:1	
WEIGHT kg/m	3.124	
SECTION No.	22714	
DRAWING No.	22714	

PARTY'S NAME	GENERAL CATEGORY (MUMBAI MARKET)
PARTY'S DRAWING No.	4558 JINDAL, MODIFIED.
ALLOY & TEMPER	HE9 WP
LENGTH	3658 mm
DESCRIPTION	DOOR SECTION