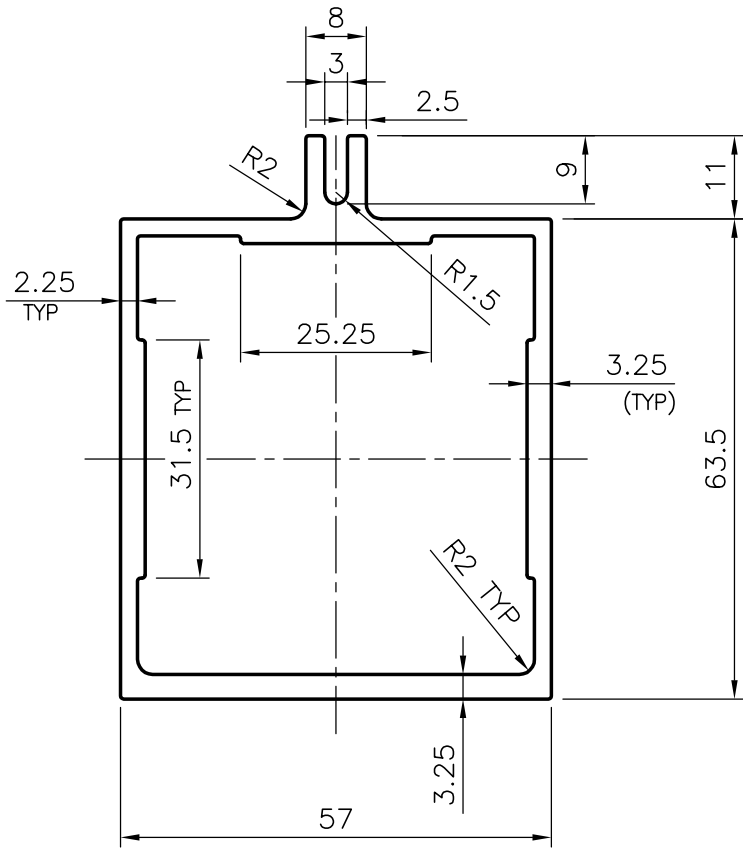



PERIMETER =276.62mm

S709
2980
22722



 SYMBOL OF QUALITY AN ISO 9002 COMPANY	JINDAL ALUMINIUM LTD. BANGALORE-560073 (INDIA)		NAME	DATE
		DRAWN	RAGHAVENDRA	23-06-01
1. ALL DIMENSIONS ARE IN mm. 2. ROUND OFF ALL SHARP CORNERS WITH 0.40 mm. 3. TOLERANCES WILL BE AS PER I.S 6477-1983 UNLESS OTHERWISE SPECIFIED		CHECKED		
		APPROVED		
PARTY'S NAME VARSHA ENTERPRISES , BANGALORE		SCALE		1:1
		WEIGHT kg/m		1.965
PARTY'S DRAWING No. AS PER DRAWING		SECTION No.		22722
ALLOY & TEMPER HE9 WP		DRAWING No.		
DESCRIPTION -		22722		