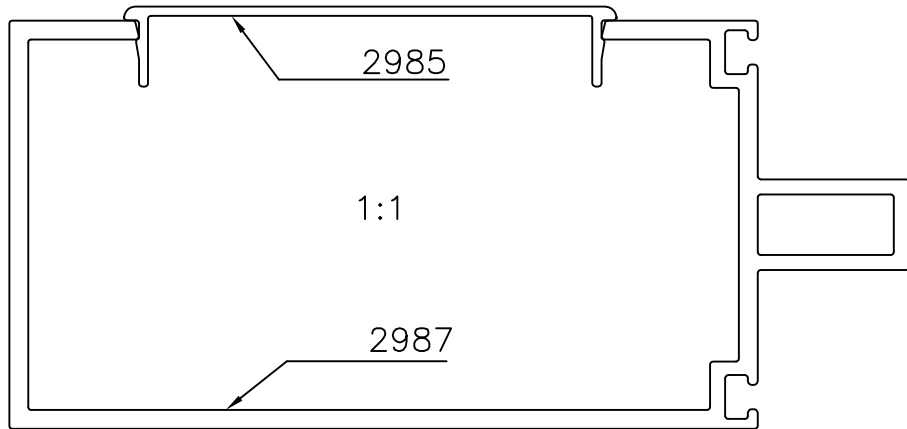
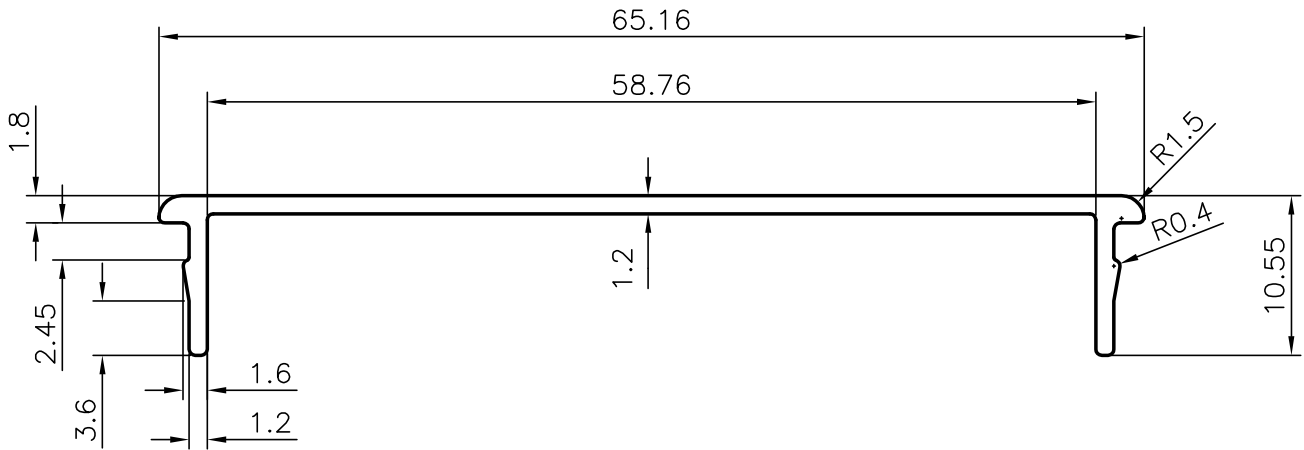
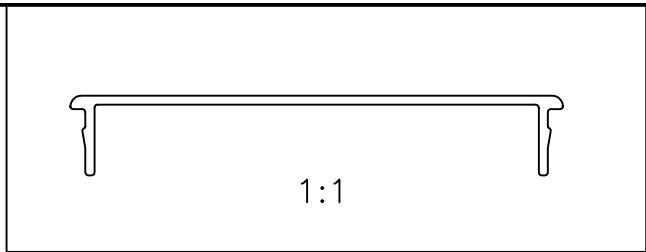



P-4531
2985
22724



 SYMBOL OF QUALITY AN ISO 9001 COMPANY	<b>JINDAL ALUMINIUM LTD.</b> BANGALORE-560073 (INDIA)	DRAWN	NAME	DATE
		CHECKED	MALINGAPPA	14-11-2003
1. ALL DIMENSIONS ARE IN mm. 2. ROUND OFF ALL SHARP CORNERS WITH 0.40 mm. 3. TOLERANCES WILL BE AS PER BS:1474-1987 UNLESS OTHERWISE SPECIFIED		APPROVED		
		SCALE	2:1	
PARTY'S NAME DIPLOMAT SYSTEMS LTD.		AREA mm <sup>2</sup>	103.2	
		PERIMETER mm.	168	
PARTY'S DRAWING No. CL 1005		WEIGHT kg/m	0.279	
		DRAWING No.	SECTION No.	
ALLOY & TEMPER HE9 WP		P-4531	-	
		2985-ISSU-2	2985-ISSU-2	
DESCRIPTION CURTAIN WALL SECTION		22724	22724	