

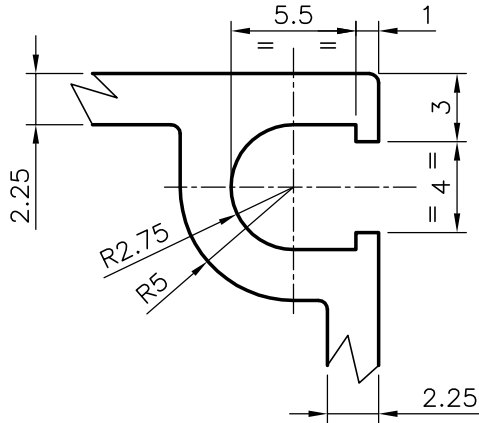
P-4652

S1138

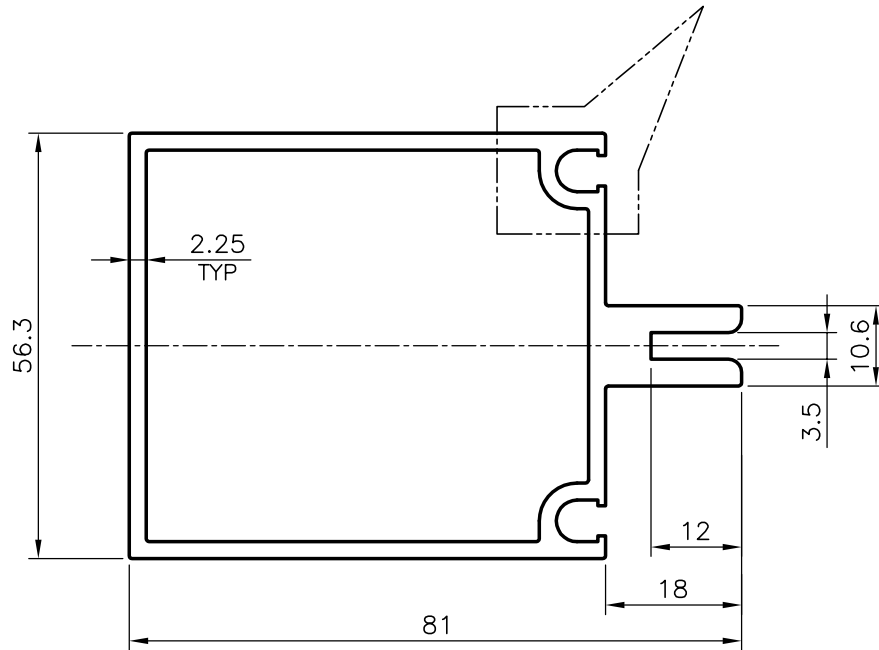
14639

22741

DETAIL "A"
SCALE 3:1



DETAIL "A"



GENERAL WALL THICKNESS = 2.25mm



SYMBOL OF QUALITY
AN ISO 9002 COMPANY

JINDAL ALUMINIUM LTD.
BANGALORE-560073 (INDIA)

	NAME	DATE
DRAWN	RAGHAVENDRA	14-01-2004
CHECKED		
APPROVED		

1. ALL DIMENSIONS ARE IN mm.
2. ROUND OFF ALL SHARP CORNERS WITH 0.40 mm.
3. TOLERANCES WILL BE AS PER IS:6477-1983 UNLESS OTHERWISE SPECIFIED

SCALE	1:1
AREA mm ²	692.166
PERIMETER mm.	323.003
WEIGHT kg/m	1.869

PARTY'S NAME	VIJAI ELECTRICALS LIMITED,, HYDERABAD
PARTY'S DRAWING No.	AS PER SKETCH
ALLOY & TEMPER	HE9 WP
DESCRIPTION	CURTAIN WALL SECTION

DRAWING No.	SECTION No.
P-4652	-
S1138	S1138
14639	14639
22741	22741