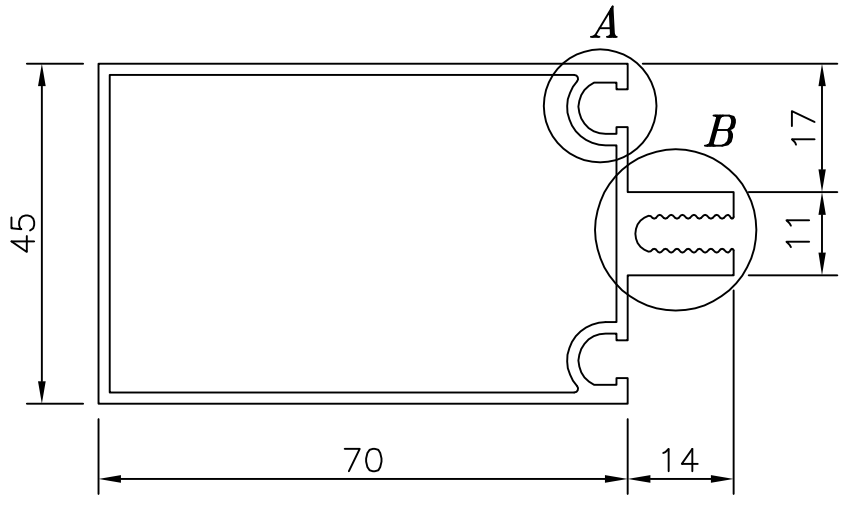
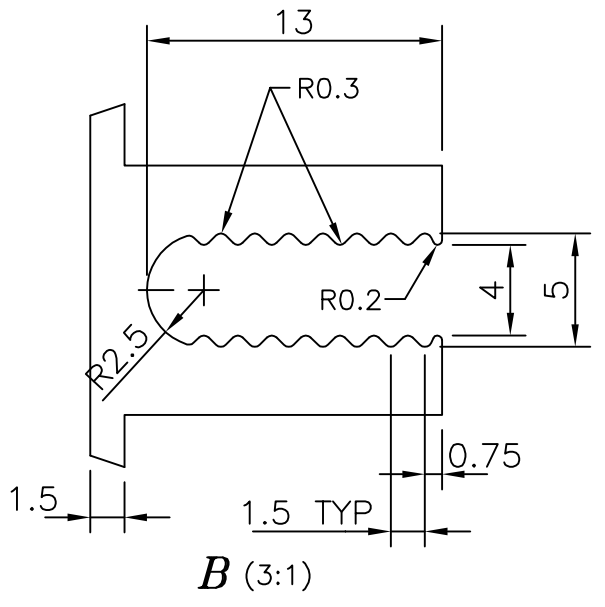
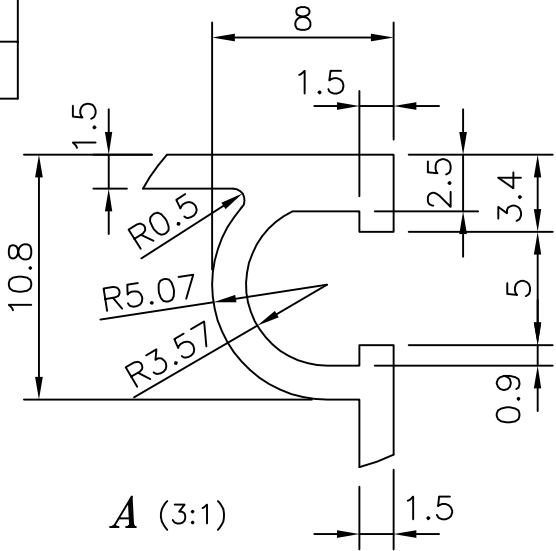



P-4112
S961
22765



GENERAL WALL THICKNESS:- 1.50 mm.

 SYMBOL OF QUALITY AN ISO 9002 COMPANY	JINDAL ALUMINIUM LTD. BANGALORE-560073 (INDIA)	NAME	DATE
		DRAWN	R.D.Sharma 27-01-03
		CHECKED	
1. ALL DIMENSIONS ARE IN mm. 2. ROUND OFF ALL SHARP CORNERS WITH 0.40 mm. 3. TOLERANCES WILL BE AS PER IS: 6477-1983 UNLESS OTHERWISE SPECIFIED		APPROVED	
		SCALE	1:1 & 3:1
		AREA mm ²	464.4
PARTY'S NAME	LIKPROOF INDIA PVT. LTD., MUMBAI	PERIMETER mm.	315.8
PARTY'S DRAWING No.	AC/LK/EX-02	WEIGHT kg/m	1.254
ALLOY & TEMPER	HE9 WP	SECTION No.	22765
DESCRIPTION	CURTAIN WALL SECTION-TRANSOM	DRAWING No.	22765