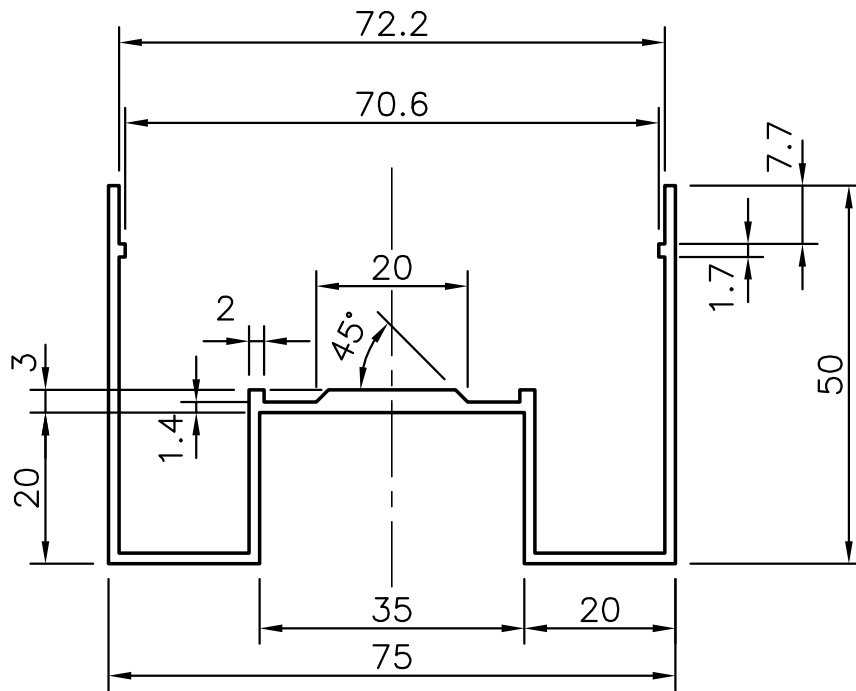


P-4113

S962

22766



1. GENERAL WALL THICKNESS:- 1.40 mm.
2. MATCHING SECTION:- S963



SYMBOL OF QUALITY
AN ISO 9002 COMPANY

JINDAL ALUMINIUM LTD.
BANGALORE-560073 (INDIA)

	NAME	DATE
DRAWN	R.D.Sharma	27-01-03
CHECKED		
APPROVED		

1. ALL DIMENSIONS ARE IN mm.
2. ROUND OFF ALL SHARP CORNERS WITH 0.40 mm.
3. TOLERANCES WILL BE AS PER IS: 3965-1981 UNLESS OTHERWISE SPECIFIED

SCALE	1:1
AREA mm ²	335.6
PERIMETER mm.	438.1
WEIGHT kg/m	0.906
SECTION No.	22766
DRAWING No.	22766

PARTY'S NAME	LIKPROOF INDIA PVT. LTD., MUMBAI
PARTY'S DRAWING No.	AS PER DRAWING
ALLOY & TEMPER	HE9 WP
DESCRIPTION	CURTAIN WALL SECTION