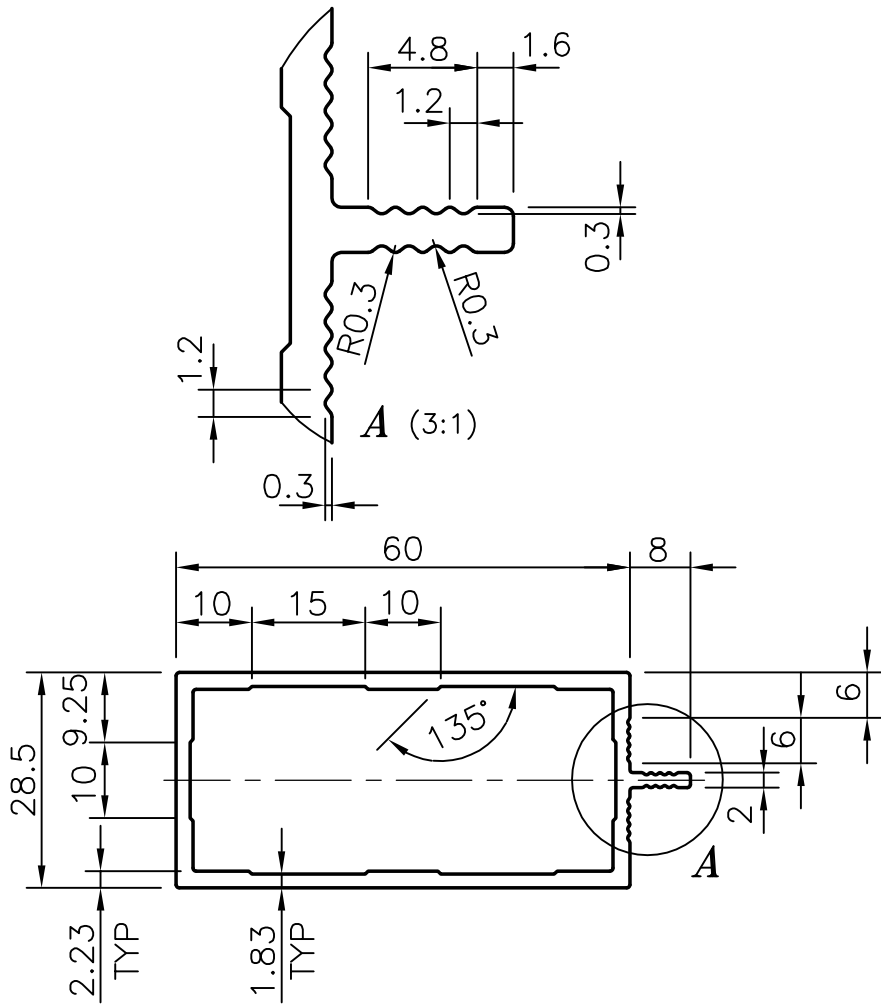



P-4229-1
 X273
 22783



WEIGHT PER PIECE (3658 mm. LONG):- 3.500 kg (AVERAGE)

 SYMBOL OF QUALITY AN ISO 9002 COMPANY	JINDAL ALUMINIUM LTD. BANGALORE-560073 (INDIA)	NAME		DATE	
		DRAWN	R.D.Sharma	21-05-2003	
		CHECKED			
1. ALL DIMENSIONS ARE IN mm. 2. ROUND OFF ALL SHARP CORNERS WITH 0.40 mm. 3. TOLERANCES WILL BE AS PER IS 6477-1983 UNLESS OTHERWISE SPECIFIED		SCALE		1:1	
		AREA mm ²		354.6	
		PERIMETER mm.		194.7	
PARTY'S NAME		ALUMINIUM & ALLIED CENTRE, COCHIN		WEIGHT kg/m	0.957
		PARTY'S DRAWING No.		AS PER SAMPLE	DRAWING No.
ALLOY & TEMPER		HE9 WP		P-4229-1	-
		STRUCTURAL GLAZING		X273	X273
DESCRIPTION		STRUCTURAL GLAZING		22783	22783