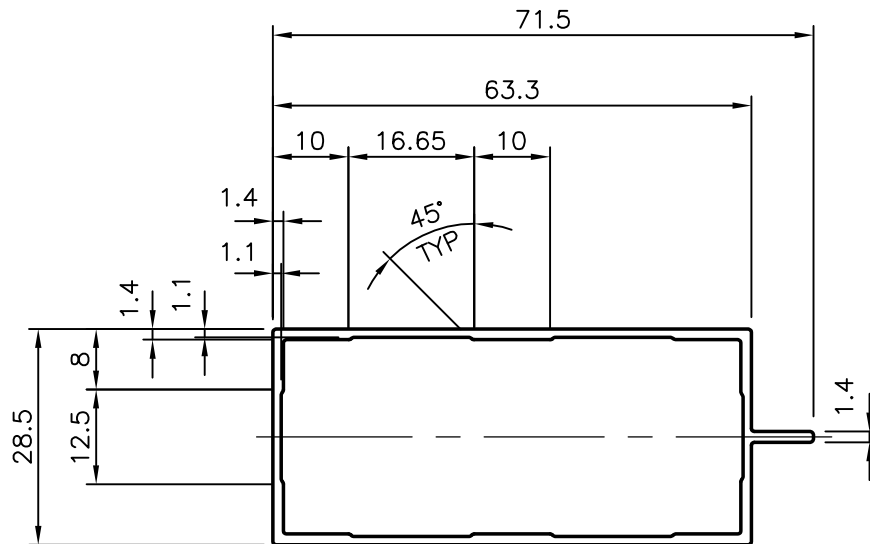


P-6417

22786



SYMBOL OF QUALITY
AN ISO 9002 COMPANY

JINDAL ALUMINIUM LTD.
BANGALORE-560073 (INDIA)

	NAME	DATE
DRAWN	MALINGAPPA	20-05-2006
CHECKED		
APPROVED		

1. ALL DIMENSIONS ARE IN mm.
2. ROUND OFF ALL SHARP CORNERS WITH 0.40 mm.
3. TOLERANCES WILL BE AS PER IS:6477-1983 UNLESS OTHERWISE SPECIFIED

SCALE	1:1
AREA mm ²	234.64
PERIMETER mm.	198.627
WEIGHT kg/m	0.634

PARTY'S NAME	GENERAL CATEGORY, COCHIN MARKET	DRAWING No.	P-6417	SECTION No.	-
PARTY'S DRAWING No.	LIGHTER OF SECTION NO. 22768		22786		22786
ALLOY & TEMPER	HE9 WP				
DESCRIPTION	STRUCTURAL GLAZING				