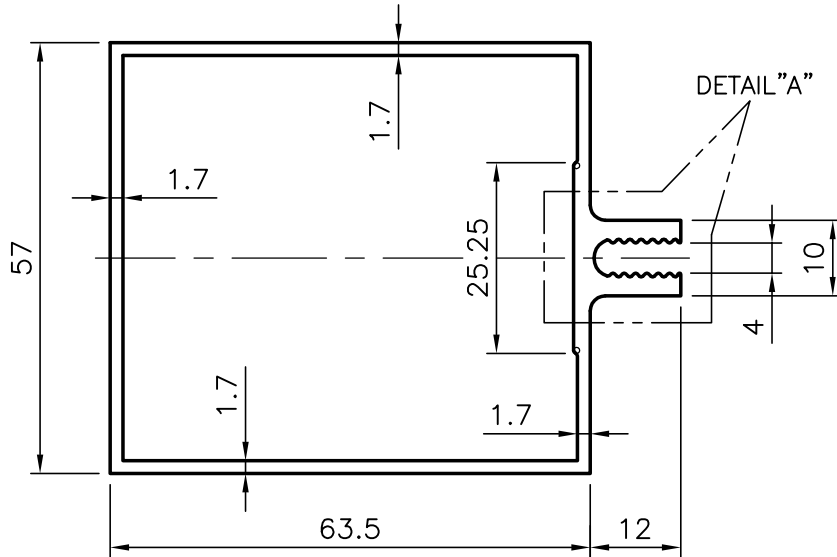
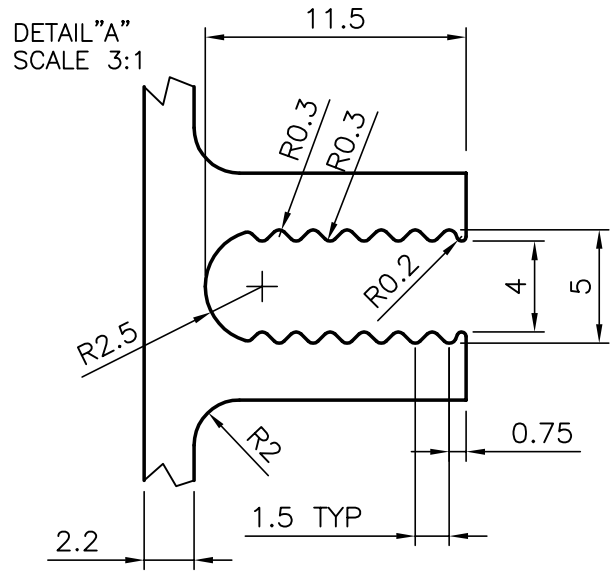



P-7691

22838



ISSUE-2 PROFILE MODIFIED AS PER CUSTOMER REQUIREMENT

 SYMBOL OF QUALITY AN ISO 9001 COMPANY	JINDAL ALUMINIUM LTD. BANGALORE-560073 (INDIA)	NAME	DATE
		DRAWN	RAGHAVENDRA 20-12-2007
		CHECKED	
		APPROVED	
1. ALL DIMENSIONS ARE IN mm. 2. ROUND OFF ALL SHARP CORNERS WITH 0.40 mm. 3. TOLERANCES WILL BE AS PER IS:6477-1983 UNLESS OTHERWISE SPECIFIED		SCALE	1:1
		AREA mm ²	482.546
		PERIMETER mm.	289.704
PARTY'S NAME	GENERAL CATEGORY, CHENNAI MARKET	WEIGHT kg/m	1.303
PARTY'S DRAWING No.	AS PER SKETCH	DRAWING No.	SECTION No.
ALLOY & TEMPER	HE9 WP	P-7691	-
DESCRIPTION	CURTAIN WALL SECTION	22838	22838-ISSUE-2