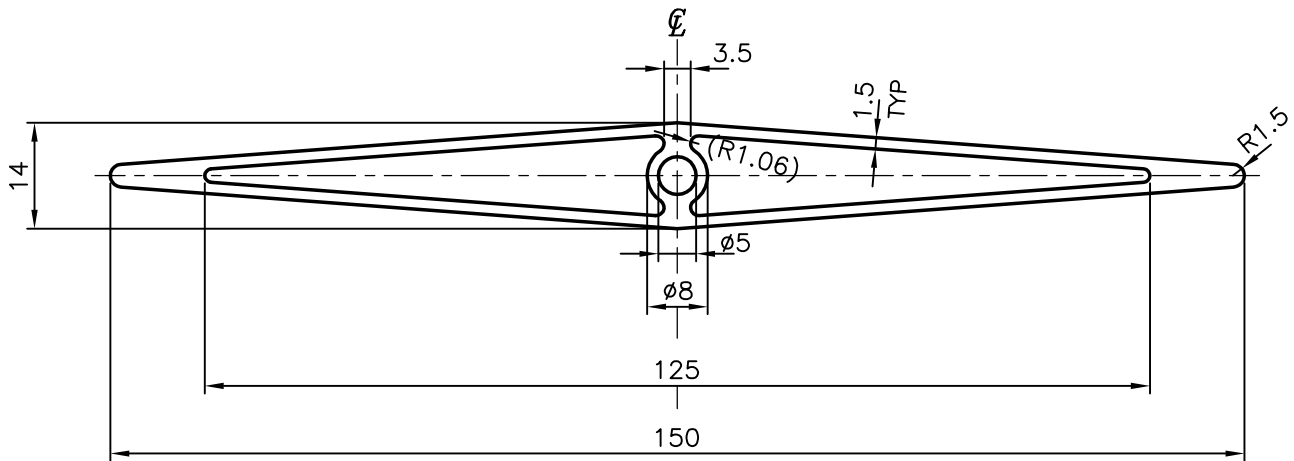


4865

22852



SYMBOL OF QUALITY
AN ISO 9001 COMPANY

JINDAL ALUMINIUM LTD.
BANGALORE-560073 (INDIA)

	NAME	DATE
DRAWN	J.P.KAUSHIK	04-12-2010
CHECKED		
APPROVED	J.N.RAI	04-12-2010
SCALE		1:1
AREA mm ²		510.918
PERIMETER mm.		304.246
WEIGHT kg/m		1.379
DRAWING No.	SECTION No.	

1. ALL DIMENSIONS ARE IN mm.
2. ROUND OFF ALL SHARP CORNERS WITH 0.40 mm.
3. TOLERANCES WILL BE AS PER IS:6477-1983 UNLESS OTHERWISE SPECIFIED

PARTY'S NAME VIJAYASHANKAR, MYSORE

PARTY'S DRAWING No. -

ALLOY & TEMPER HE9 WP

DESCRIPTION LOUVER SECTION

4865	4865
22852	22852