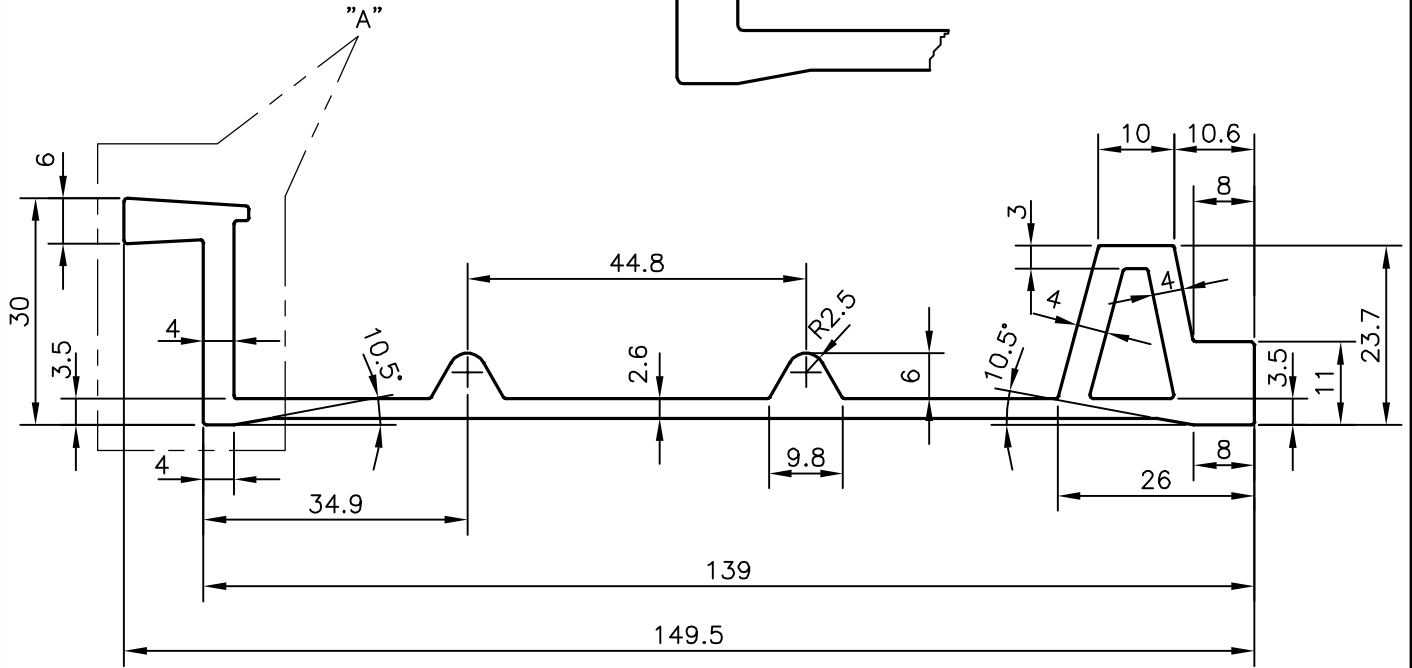
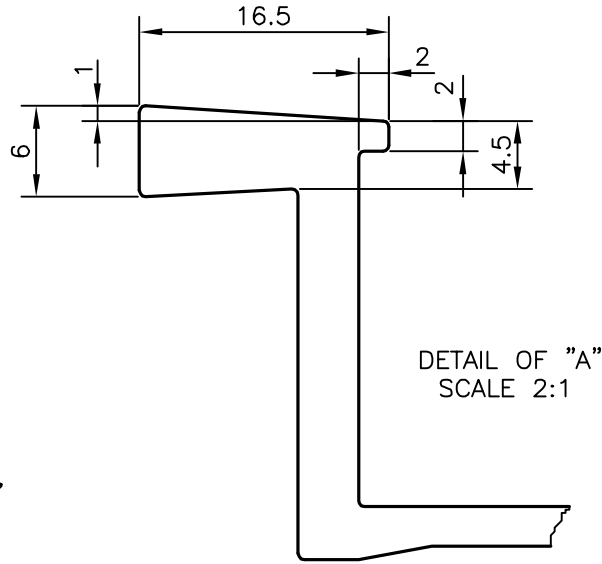


P-10149-1

S2591

22924



SYMBOL OF QUALITY
AN ISO 9001 COMPANY

JINDAL ALUMINIUM LTD.
BANGALORE-560073 (INDIA)

	NAME	DATE
DRAWN	J.P.KAUSHIK	06-07-2010
CHECKED		
APPROVED	S.S.GARG	14-07-2010

1. ALL DIMENSIONS ARE IN mm.
2. ROUND OFF ALL SHARP CORNERS WITH 0.40 mm.
3. TOLERANCES WILL BE AS PER BS:EN-12020-2 UNLESS OTHERWISE SPECIFIED

SCALE	1:1
AREA mm ²	843.365
PERIMETER mm.	406.598
WEIGHT kg/m	2.277

PARTY'S NAME	S.J CONTRACTS PVT. LTD., PUNE
PARTY'S DRAWING No.	AS PER SAMPLE
ALLOY & TEMPER	HE9 WP
DESCRIPTION	MISC. SECTION

DRAWING No.	SECTION No.
P-10149-1	-
S2591	S2591
22924	22924