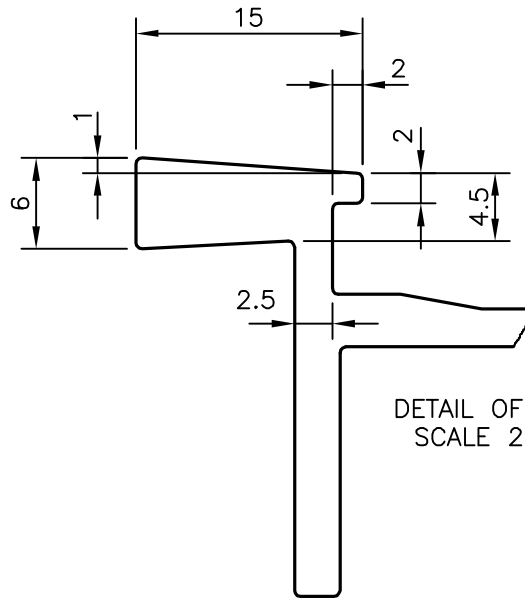


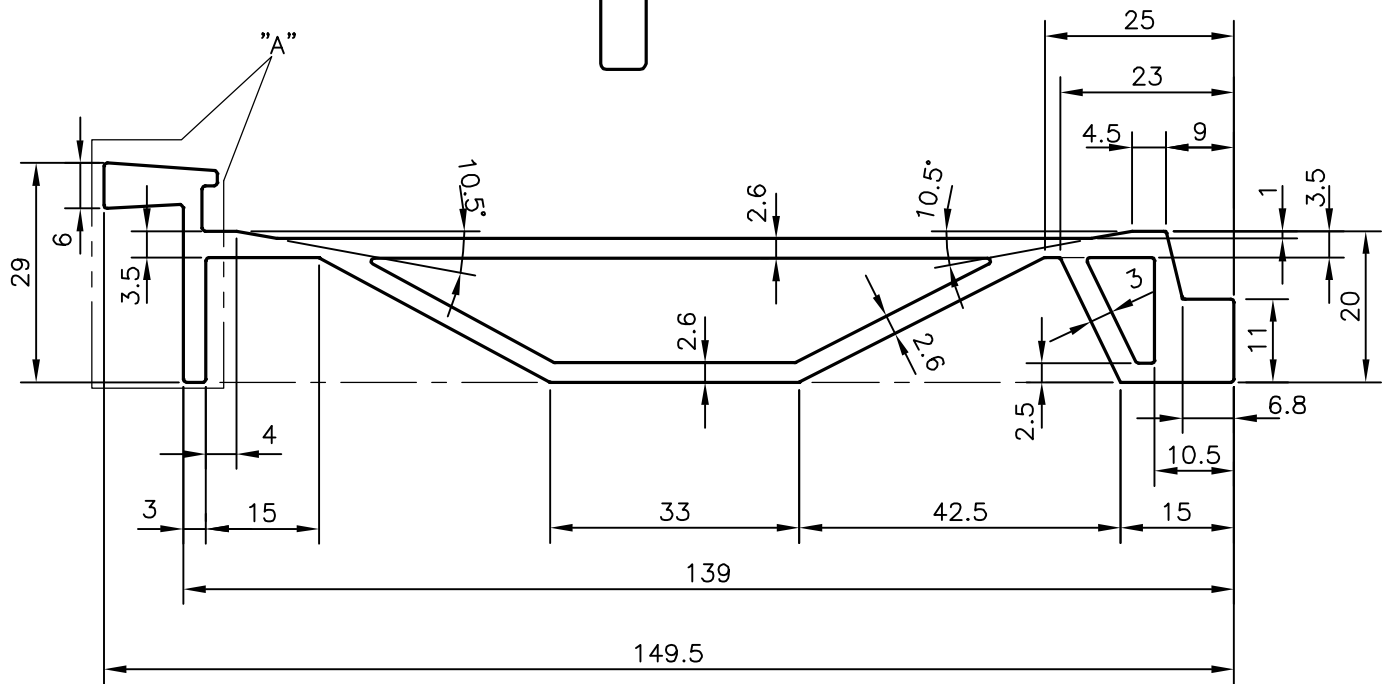
P-10150-1

S2592

22925



DETAIL OF "A"  
SCALE 2:1



SYMBOL OF QUALITY  
AN ISO 9001 COMPANY

**JINDAL ALUMINIUM LTD.**  
BANGALORE-560073 (INDIA)

	NAME	DATE
DRAWN	J.P.KAUSHIK	06-07-2010
CHECKED		
APPROVED	S.S.GARG	14-07-2010

- ALL DIMENSIONS ARE IN mm.
- ROUND OFF ALL SHARP CORNERS WITH 0.40 mm.
- TOLERANCES WILL BE AS PER BS:EN-12020-2 UNLESS OTHERWISE SPECIFIED

SCALE	1:1
AREA mm <sup>2</sup>	929.752
PERIMETER mm.	391.439
WEIGHT kg/m	2.510

PARTY'S NAME	S.J CONTRACTS PVT. LTD., PUNE
PARTY'S DRAWING No.	AS PER SAMPLE
ALLOY & TEMPER	HE9 WP
DESCRIPTION	MISC. SECTION

DRAWING No.	SECTION No.
P-10150-1	-
S2592	S2592
22925	22925