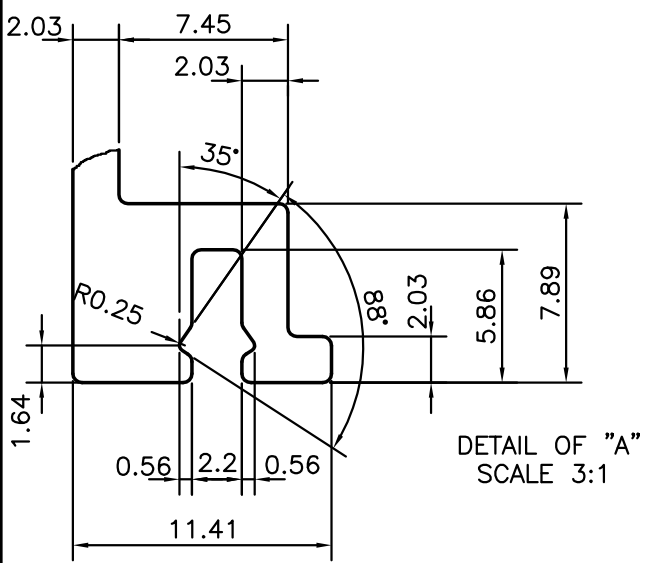
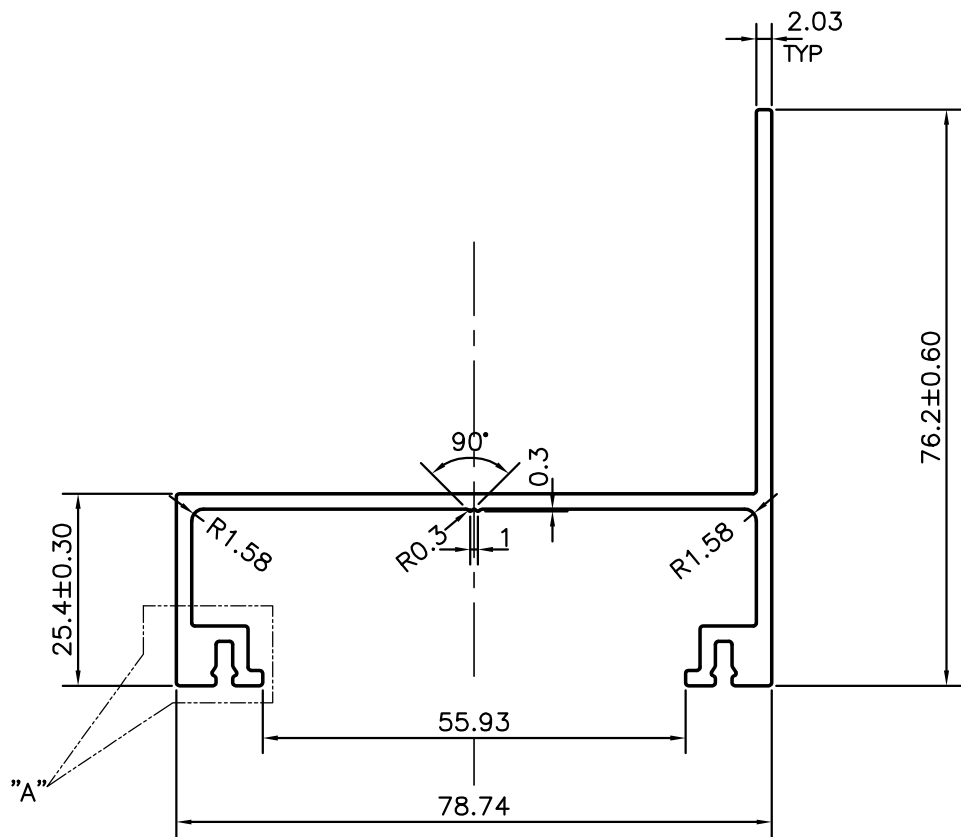


P-10515  
S2755  
22930



**JINDAL ALUMINIUM LTD.**  
BANGALORE-560073 (INDIA)

	NAME	DATE
DRAWN	J.P.KAUSHIK	22-10-2010
CHECKED		
APPROVED	S.S.GARG	06-11-2010
SCALE		1:1
AREA mm <sup>2</sup>		456.831
PERIMETER mm.		414.113
WEIGHT kg/m		1.233
DRAWING No.	SECTION No.	
P-10515		
S2755	S2755	
22930	22930	

1. ALL DIMENSIONS ARE IN mm.  
2. ROUND OFF ALL SHARP CORNERS WITH 0.4 mm.  
3. TOLERANCES WILL BE AS PER IS:3965-1981 UNLESS OTHERWISE SPECIFIED

PARTY'S NAME	CONSTRUCTION SPECIALITIES INTERNATIONAL, MUMBAI
PARTY'S DRAWING No.	7041 B
ALLOY & TEMPER	6063 T6
DESCRIPTION	MISC. SECTION