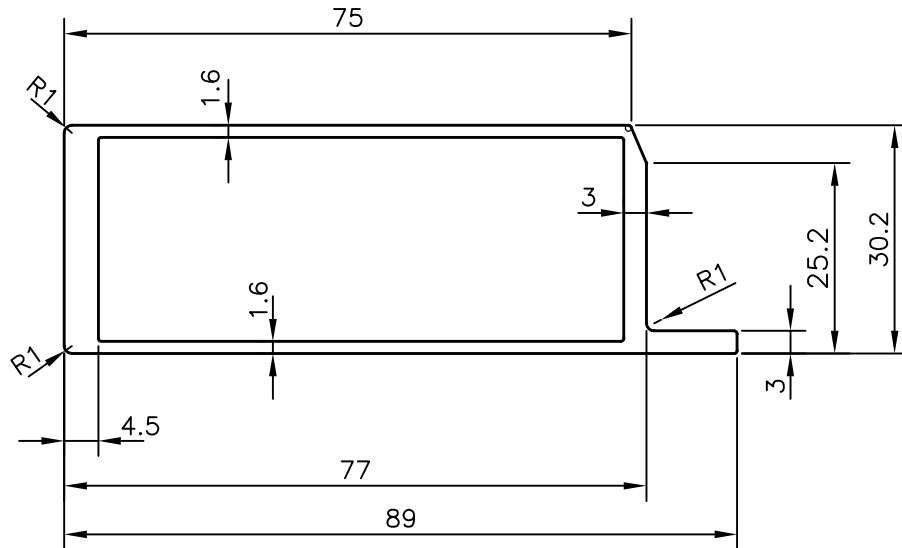


P-11435

S3185

22939



SYMBOL OF QUALITY
AN ISO 9001 COMPANY

JINDAL ALUMINIUM LTD.
BANGALORE-560073 (INDIA)

	NAME	DATE
DRAWN	PARVESH	06-01-2012
CHECKED		
APPROVED	S.S. GARG	13-02-2012
SCALE		1:1
AREA mm ²		479.402
PERIMETER mm.		235.007
WEIGHT kg/m		1.294
DRAWING No.	SECTION No.	
P-11435		
S3185	S3185	
22939	22939	

1. ALL DIMENSIONS ARE IN mm.
2. ROUND OFF ALL SHARP CORNERS WITH 0.40 mm.
3. TOLERANCES WILL BE AS PER IS:6477-1983 , UNLESS OTHERWISE SPECIFIED

PARTY'S NAME	UNIVERSAL ENGINEERING, BANGALORE
PARTY'S DRAWING No.	AS PER SAMPLE
ALLOY & TEMPER	HE9 WP
DESCRIPTION	MISC. SECTION