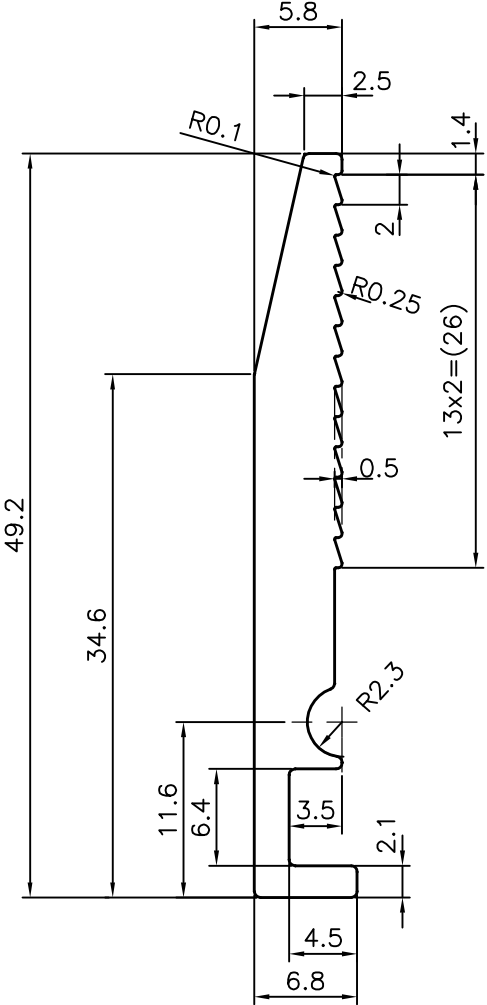
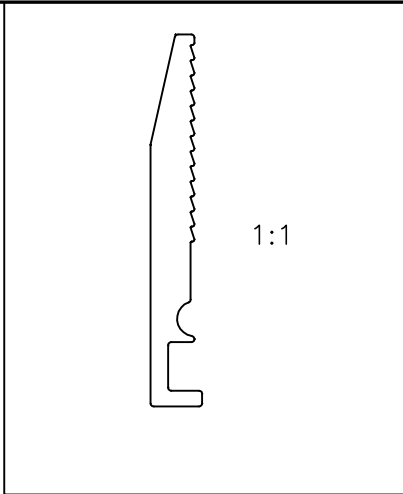



P-12002
S3464
22949



 SYMBOL OF QUALITY AN ISO 9001 COMPANY	JINDAL ALUMINIUM LTD. BANGALORE-560073 (INDIA)	NAME		DATE
		DRAWN	J.P.KAUSHIK	23-08-2012
1. ALL DIMENSIONS ARE IN mm. 2. ROUND OFF ALL SHARP CORNERS WITH 0.40 mm. 3. TOLERANCES WILL BE AS PER,BS:EN-755-9 UNLESS OTHERWISE SPECIFIED		CHECKED		
		APPROVED		S.S.CARG 31-08-2012
PARTY'S NAME		SCALE		2:1
		AREA mm ²		222.439
PARTY'S DRAWING No.		PERIMETER mm.		122.594
		WEIGHT kg/m		0.601
ALLOY & TEMPER		DRAWING No.		P-12002
		SECTION No.		-
DESCRIPTION		S3464		S3464
		22949		22949