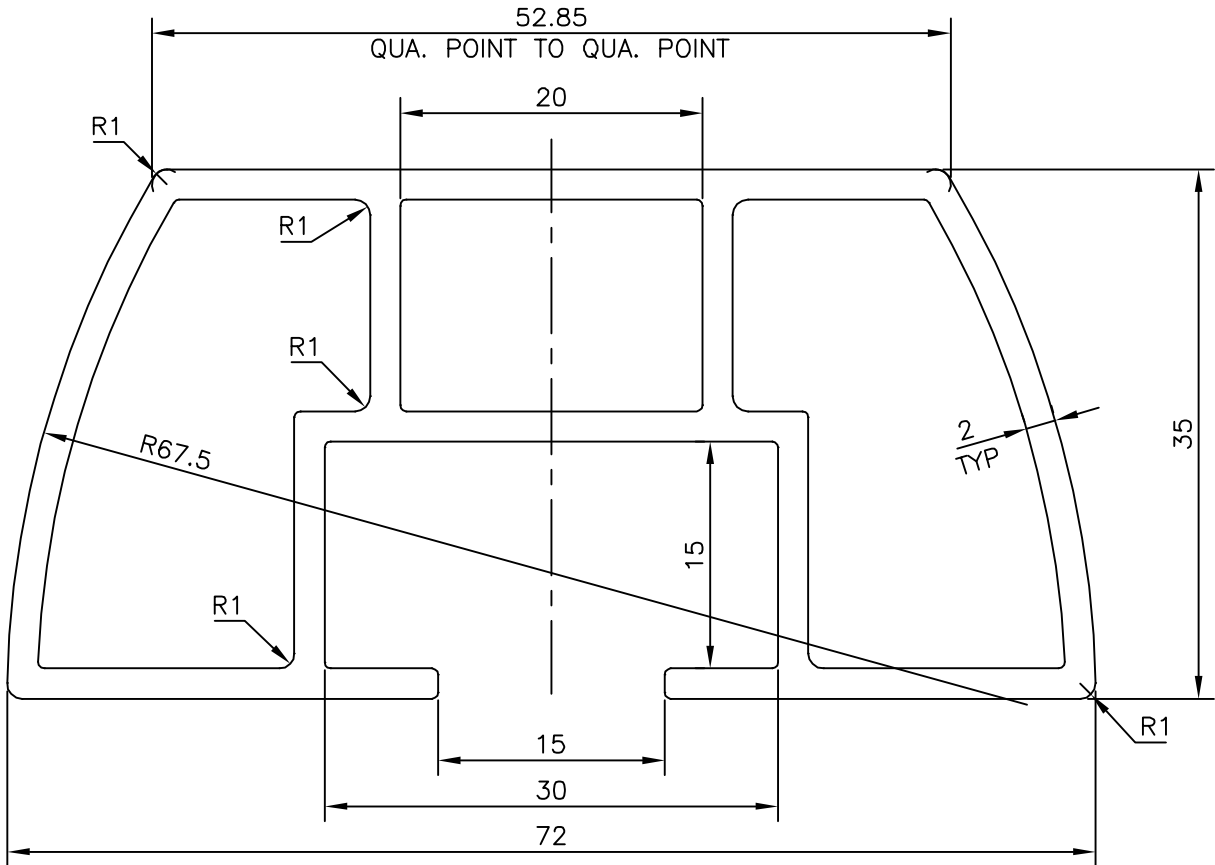
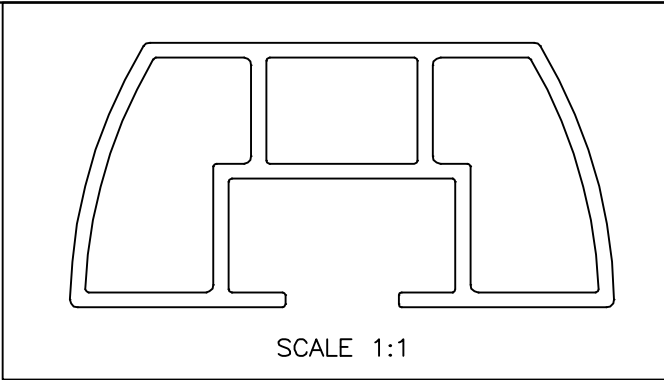


P-12043
S3475
22953



**JINDAL ALUMINIUM LTD.**  
BANGALORE-560073 (INDIA)

	NAME	DATE
DRAWN	RAGHAVENDRA	17-09-2012
CHECKED		
APPROVED	S.S.GARG	27-09-2012
SCALE		2:1
AREA mm <sup>2</sup>		535.611
PERIMETER mm.		259.27
WEIGHT kg/m		1.446
DRAWING No.	SECTION No.	
P-12043	-	
S3475	S3475	
22953	22953	

1. ALL DIMENSIONS ARE IN mm.
2. ROUND OFF ALL SHARP CORNERS WITH 0.40 mm.
3. TOLERANCES WILL BE AS PER IS:6477-1983 UNLESS OTHERWISE SPECIFIED

PARTY'S NAME	PITRODA FURNITURE PVT. LTD., MUMBAI
PARTY'S DRAWING No.	AS PER DRAWING
ALLOY & TEMPER	HE9 WP
DESCRIPTION/END USE	T-SYSTEM HOLLOW FURNITURE SECTION