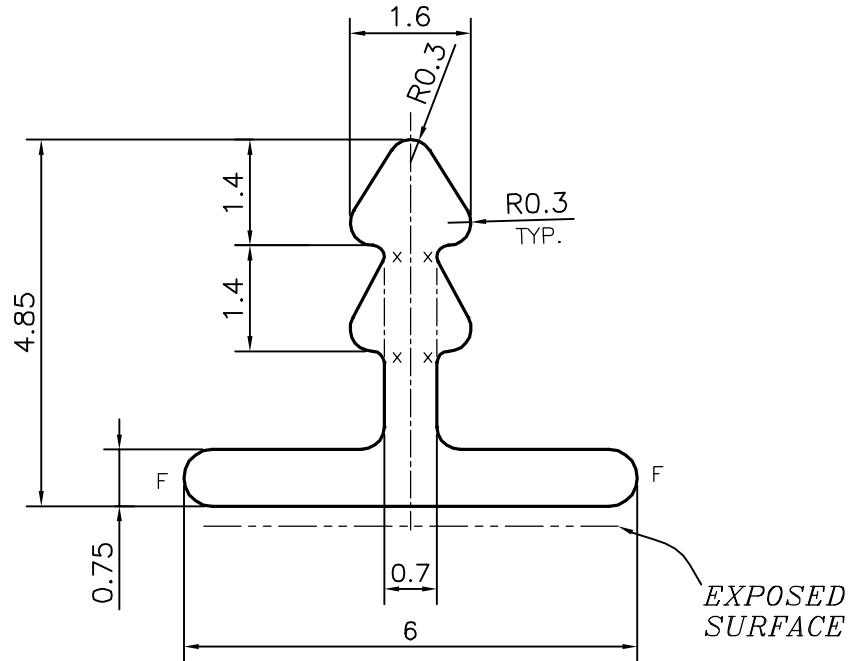


P-14441-1

22961



SCALE:- 1:1



F = FULL RADIUS (2 PLACES)
X = RADIUS 0.15 mm. (4 PLACES)

TOLERANCES ON OVERALL WIDTHS & WIDTHS ACROSS FLATS OF BARS, & REGULAR SECTIONS

UPTO 6.40mm - ±0.20	UPTO 32.0mm - ±0.38	UPTO 120.0mm - ±0.85	1. STRAIGHTNESS=1.7mm/M 2. TWIST=1.7mm/M 3. ANGULARITY= ±2° 4. FLATNESS =0.007xWIDTH
UPTO 10.0mm - ±0.23	UPTO 50.0mm - ±0.46	UPTO 160.0mm - ±1.02	
UPTO 12.0mm - ±0.25	UPTO 60.0mm - ±0.53	UPTO 200.0mm - ±1.14	
UPTO 16.0mm - ±0.28	UPTO 80.0mm - ±0.69	UPTO 250.0mm - ±1.40	
UPTO 25.0mm - ±0.30	UPTO 100.0mm - ±0.75	UPTO 300.0mm - ±1.65	



SYMBOL OF QUALITY
AN ISO 9001 COMPANY

JINDAL ALUMINIUM LTD.
BANGALORE-560073 (INDIA)

	NAME	DATE
DRAWN	PARVESH	26-02-2015
CHECKED		
APPROVED	S.S.GARG	03-03-2015

1. ALL DIMENSIONS ARE IN mm.
2. ROUND OFF ALL SHARP CORNERS WITH 0.30 mm.
3. TOLERANCES WILL BE AS PER IS:3965-1981, UNLESS OTHERWISE SPECIFIED

SCALE	10:1
AREA mm ²	8.551
PERIMETER mm.	21.973
WEIGHT kg/m	0.023

PARTY'S NAME	GENERAL CATEGORY, DELHI MARKET	DRAWING No.	P-14441-1	SECTION No.	-
PARTY'S DRAWING No.	AS PER DRAWING		22961		22961
ALLOY & TEMPER	6063 T6				
DESCRIPTION	ARCHITECTURAL SECTION				