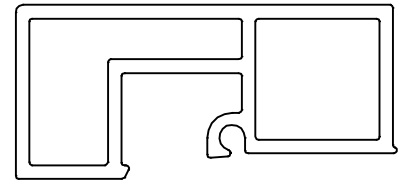


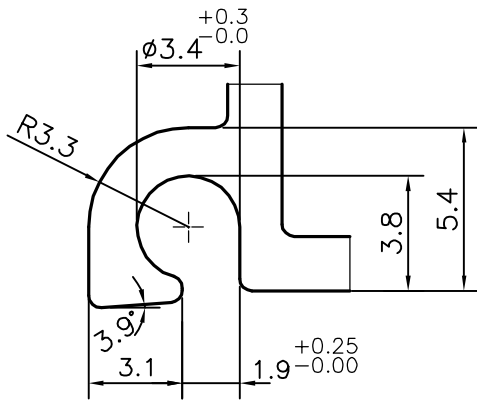
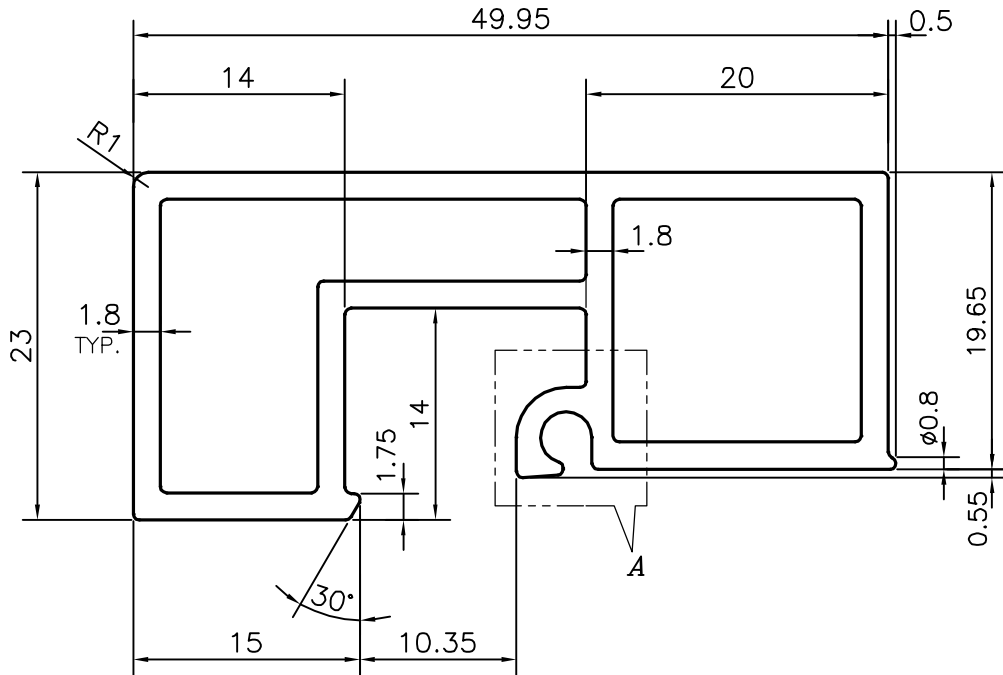
P-12456-1

S3621

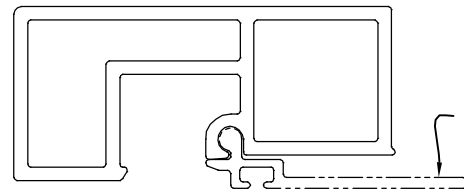
22967



SCALE :- 1:1



DETAIL OF "A"
SCALE :- 4:1



22969



SYMBOL OF QUALITY
AN ISO 9001 COMPANY

JINDAL ALUMINIUM LTD.
BANGALORE-560073 (INDIA)

	NAME	DATE
DRAWN	PARVESH	21-01-2013
CHECKED		
APPROVED	S.S.GARG	29-01-2013
SCALE		2:1
AREA mm ²		312.845
PERIMETER mm.		184.067
WEIGHT kg/m		0.845
DRAWING No.	SECTION No.	
P-12456-1	-	
S3621	S3621	
22967	22967	

1. ALL DIMENSIONS ARE IN mm.
2. ROUND OFF ALL SHARP CORNERS WITH 0.40 mm.
3. TOLERANCES WILL BE AS PER IS:6477-1983 , UNLESS OTHERWISE SPECIFIED

PARTY'S NAME	SOBHA DEVELOPERS LTD., BANGALORE
PARTY'S DRAWING No.	AS PER Auto CAD DRAWING
ALLOY & TEMPER	HE9 WP
DESCRIPTION	ARCHITECTURAL SECTION