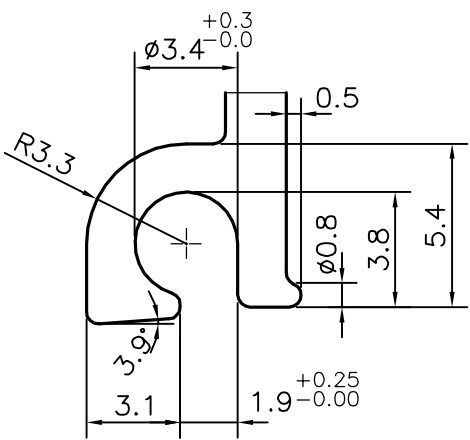
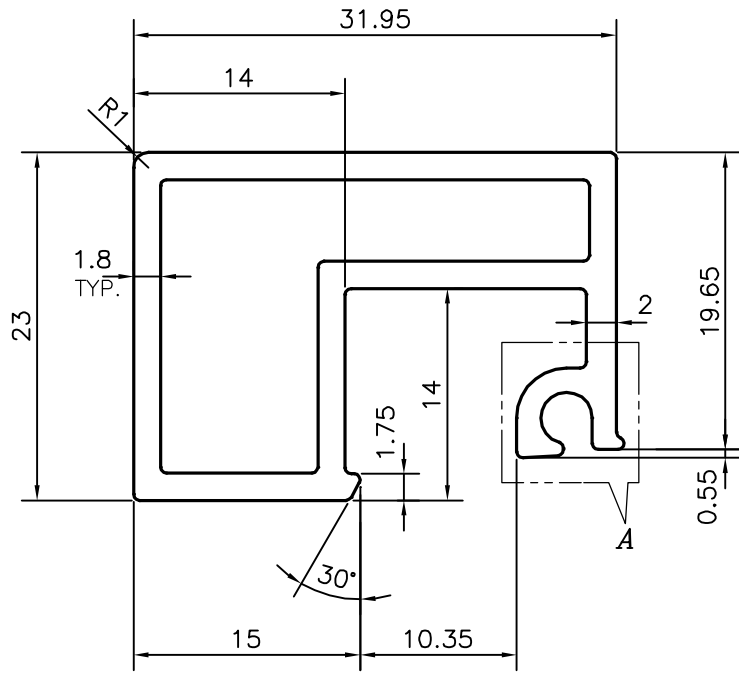
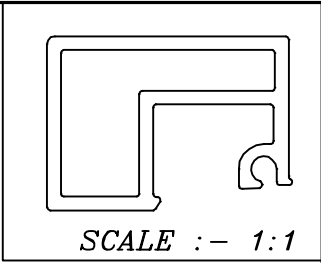
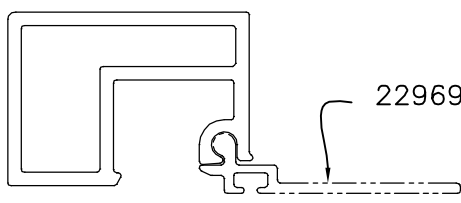


P-12457
S3622
22968



DETAIL OF "A"
SCALE :- 4:1



JINDAL ALUMINIUM LTD.
BANGALORE-560073 (INDIA)

	NAME	DATE
DRAWN	PARVESH	18-01-2013
CHECKED		
APPROVED	S.S.GARG	29-01-2013
SCALE		2:1
AREA mm ²		221.147
PERIMETER mm.		148.067
WEIGHT kg/m		0.597
DRAWING No.	SECTION No.	
P-12457	-	
S3622	S3622	
22968	22968	

1. ALL DIMENSIONS ARE IN mm.
2. ROUND OFF ALL SHARP CORNERS WITH 0.40 mm.
3. TOLERANCES WILL BE AS PER IS:6477-1983 , UNLESS OTHERWISE SPECIFIED

PARTY'S NAME	SOBHA DEVELOPERS LTD., BANGALORE
PARTY'S DRAWING No.	AS PER Auto CAD DRAWING
ALLOY & TEMPER	HE9 WP
DESCRIPTION	ARCHITECTURAL SECTION