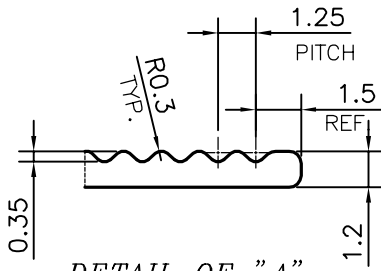
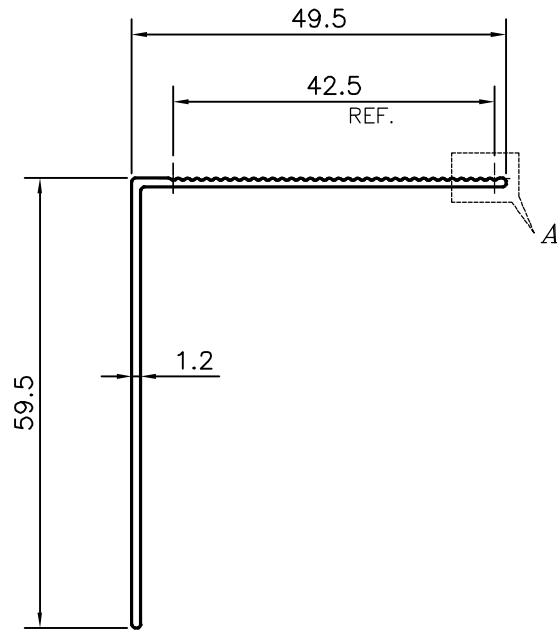



P-14943

22975



DETAIL OF "A"
SCALE 4:1

 SYMBOL OF QUALITY AN ISO 9001 COMPANY	JINDAL ALUMINIUM LTD. BANGALORE-560073 (INDIA)		NAME	DATE
		DRAWN	J.P.KAUSHIK	29-07-2015
1. ALL DIMENSIONS ARE IN mm. 2. ROUND OFF ALL SHARP CORNERS WITH 0.40 mm. 3. TOLERANCES WILL BE AS PER BS:EN-755-9 , UNLESS OTHERWISE SPECIFIED		CHECKED		
		APPROVED	S.S.GARG	12-08-2015
PARTY'S NAME UAB LEMORA, LITHUANIA		SCALE		1:1
		AREA mm ²		121.564
PARTY'S DRAWING No. AS PER SPECIFICATION		PERIMETER mm.		224.806
		WEIGHT kg/m		0.328
ALLOY & TEMPER 6063 T6		DRAWING No.	SECTION No.	
		P-14943	-	
DESCRIPTION FLUTED UNEQUAL ANGLE SECTION		22975	22975	