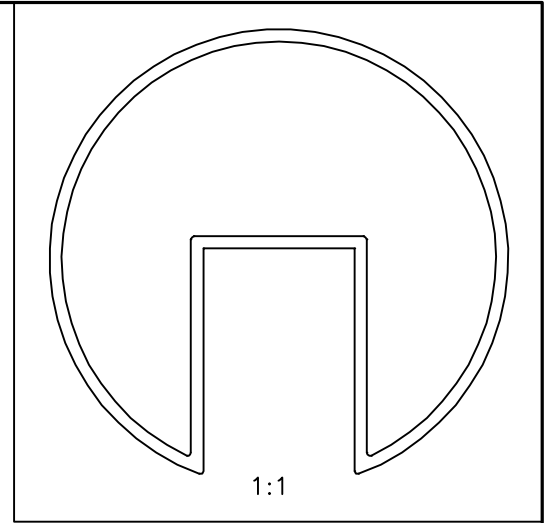


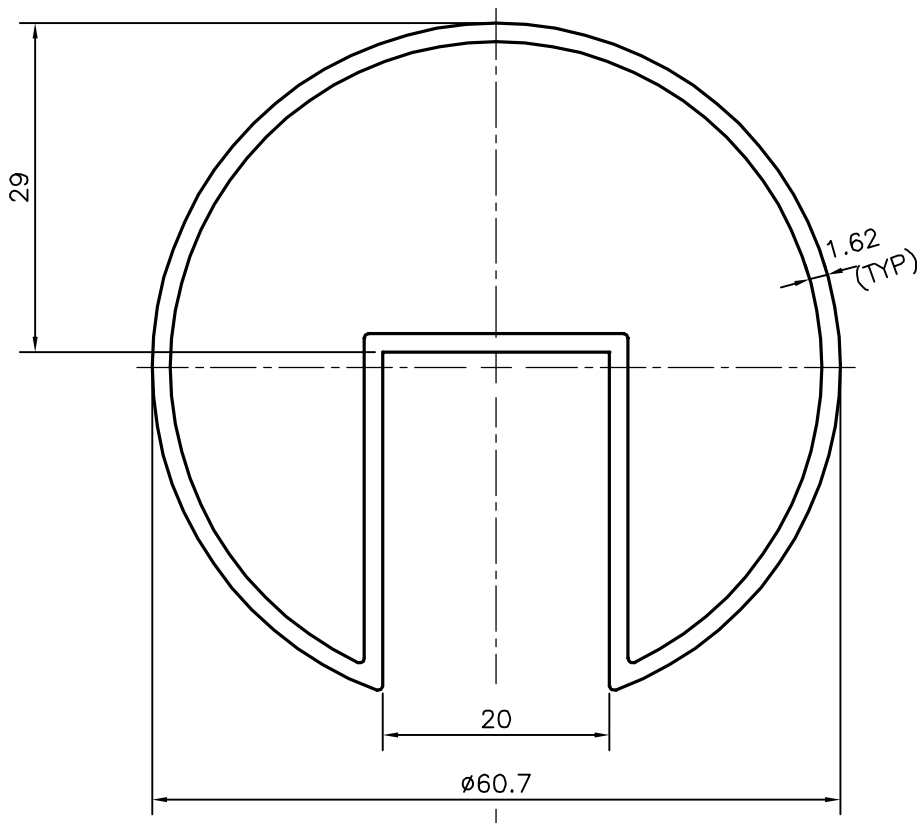
P-13332

S3989

22981



1:1



SYMBOL OF QUALITY  
AN ISO 9001 COMPANY

**JINDAL ALUMINIUM LTD.**  
*BANGALORE-560073 (INDIA)*

	NAME	DATE
DRAWN	SRIVATHSA	09-01-2014
CHECKED		
APPROVED	S.S.GARG	13-01-2014
SCALE		1.5:1
AREA mm <sup>2</sup>		395.84
PERIMETER mm.		249.582
WEIGHT kg/m		1.069
DRAWING No.	SECTION No.	
P-13332	-	
S3989	S3989	
22981	22981	

1. ALL DIMENSIONS ARE IN mm.
2. ROUND OFF ALL SHARP CORNERS WITH 0.40 mm.
3. TOLERANCES WILL BE AS PER IS:6477-1983, UNLESS OTHERWISE SPECIFIED

PARTY'S NAME	HEKUR CONTRACTORS PVT. LTD., THRISSUR
PARTY'S DRAWING No.	AS PER DRAWING
ALLOY & TEMPER	HE9 WP
DESCRIPTION	MISC. HOLLOW SECTION