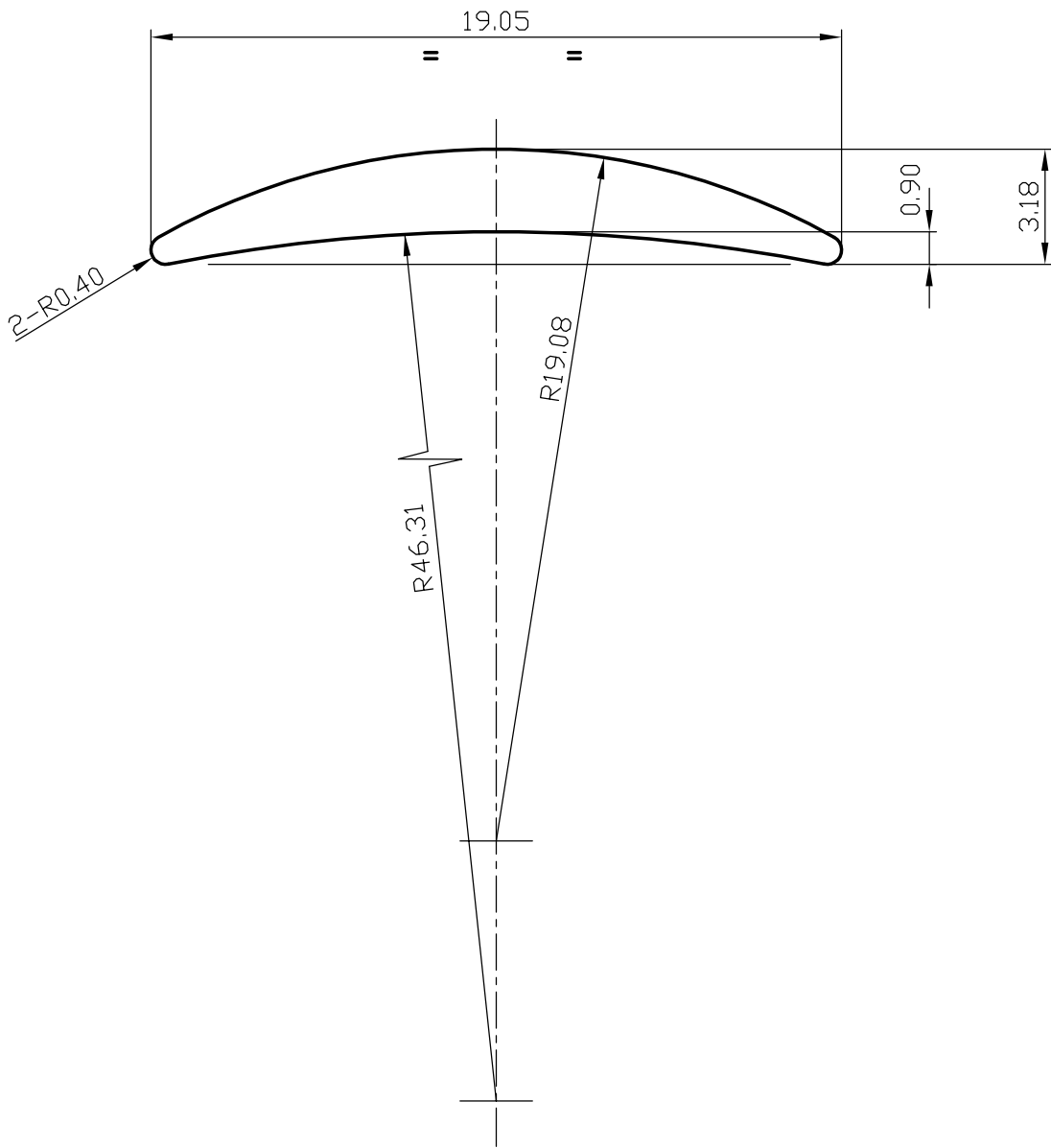
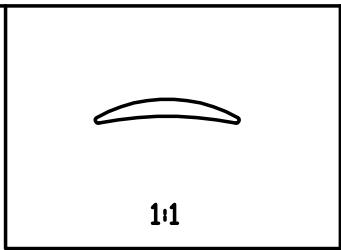



5002
23001



 SYMBOL OF QUALITY AN ISO 9002 COMPANY	<b>JINDAL ALUMINIUM LTD.</b> BANGALORE-560073 (INDIA)		NAME	DATE
			DRAWN	P,KULKARNI
1. ALL DIMENSIONS ARE IN mm. 2. ROUND OFF ALL SHARP CORNERS WITH 0.40 mm. 3. TOLERANCES WILL BE AS PER I.S, 3965-1981 UNLESS OTHERWISE SPECIFIED			CHECKED	
			APPROVED	
			SCALE	5:1
PARTY'S NAME	-		WEIGHT kg/m	0.091
PARTY'S DRAWING No.	<b>SEC No 5002 (OLD SUPERSEDED)</b>		SECTION No.	23001
ALLOY & TEMPER	<b>HE9 WP</b>	LENGTH: 3658 mm	DRAWING No.	
DESCRIPTION	<b>HALF ROUNDS - RADIUSED</b>		23001	