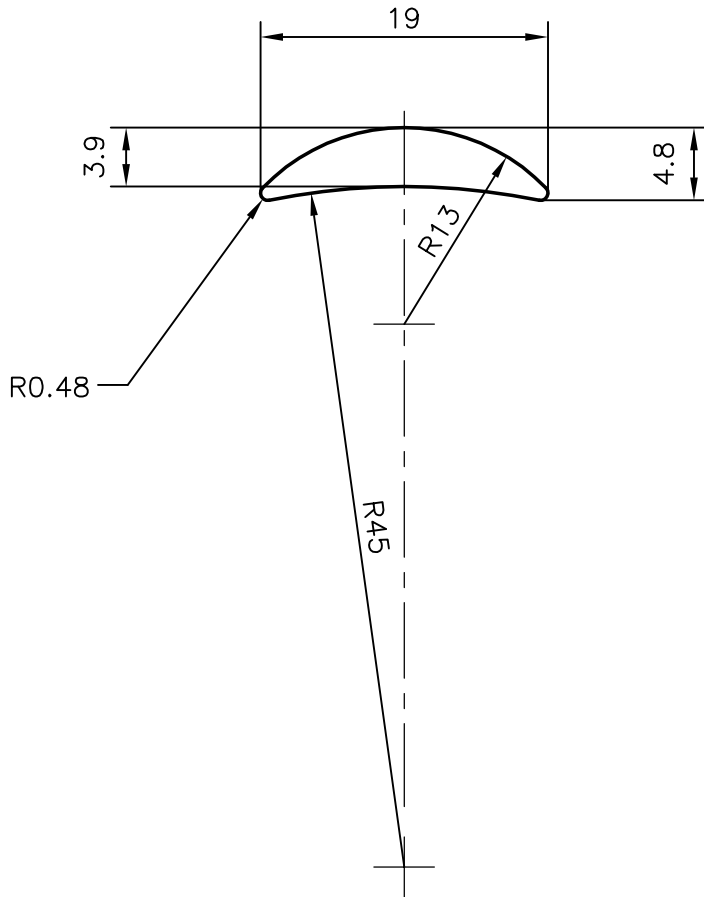


5008
23005
-



1:1



JINDAL ALUMINIUM LTD. <i>BANGALORE-560073</i>			NAME	DATE
		DRAWN	R.D.Sharma	28-10-95
1. ALL DIMENSIONS ARE IN mm. 2. ROUND OFF ALL SHARP CORNERS WITH 0.4 mm. 3. TOLERANCES WILL BE AS PER IS: 3965-1981 ,UNLESS OTHERWISE SPECIFIED		CHECKED		
		APPROVED		
		SCALE	1:1 & 2:1	
PARTY'S NAME	A.ABDUL RAHIM OOSMAN & CO.,MAURITIUS	WEIGHT kg/m	0.152	
PARTY'S DRAWING No.	AS PER SAMPLE	SECTION No.	23005	
ALLOY & TEMPER	HE9 WP (6063 T6)	DRAWING No.	23005	
LENGTH	5500 mm.			
DESCRIPTION	HALF ROUND-RADIUSED			