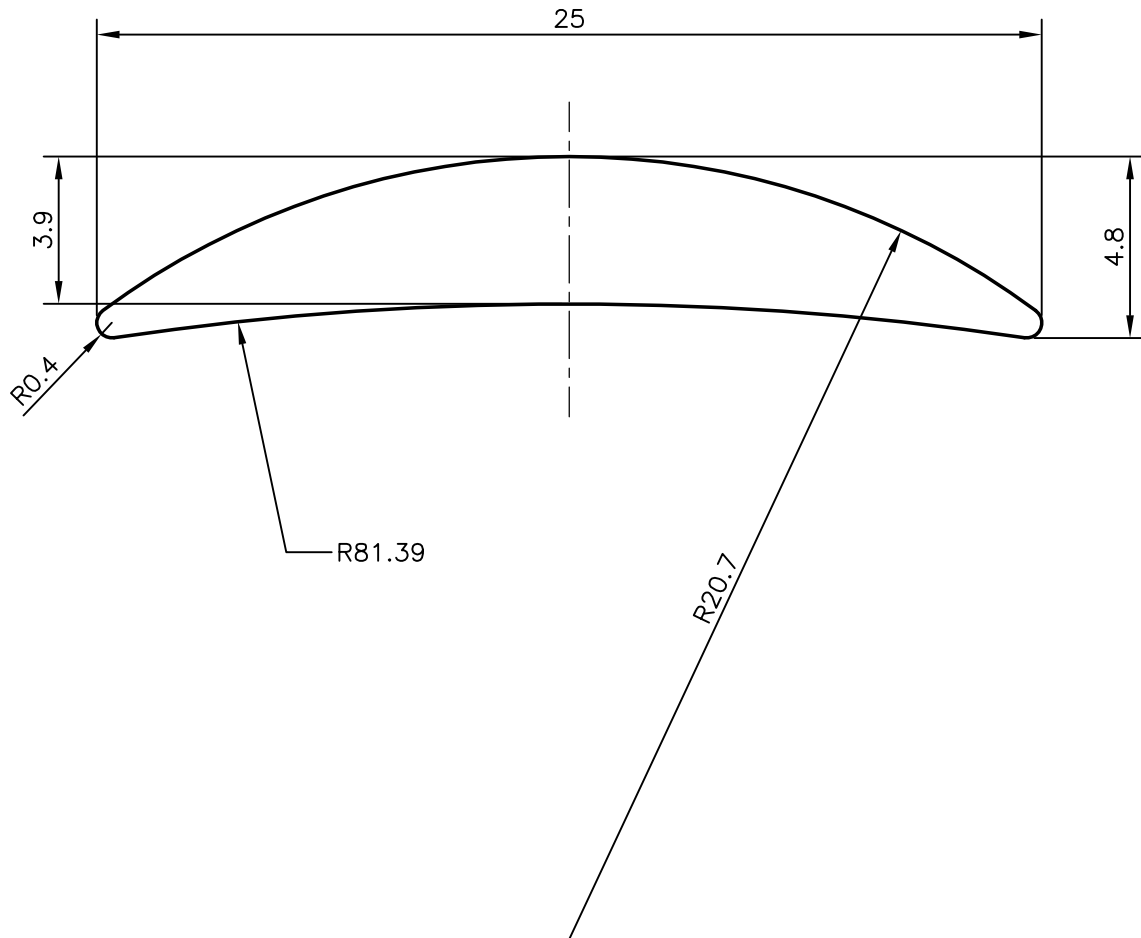


P-9708

23010



SCALE 1:1



SYMBOL OF QUALITY
AN ISO 9001 COMPANY

JINDAL ALUMINIUM LTD.
BANGALORE-560073 (INDIA)

	NAME	DATE
DRAWN	RAGHAVENDRA	29-12-2009
CHECKED		
APPROVED		

1. ALL DIMENSIONS ARE IN mm.
2. ROUND OFF ALL SHARP CORNERS WITH 0.40 mm.
3. TOLERANCES WILL BE AS PER BS:EN-755 UNLESS OTHERWISE SPECIFIED

SCALE	5:1
AREA mm ²	71.975
PERIMETER mm.	52.729
WEIGHT kg/m	0.194

PARTY'S NAME	ABC COACH WORKS LTD., MAURITIUS
PARTY'S DRAWING No.	AS PER REQUIREMENT
ALLOY & TEMPER	6063 T6
DESCRIPTION	HALF ROUND-RADIUSED

DRAWING No.	SECTION No.
P-9708	-
23010	23010