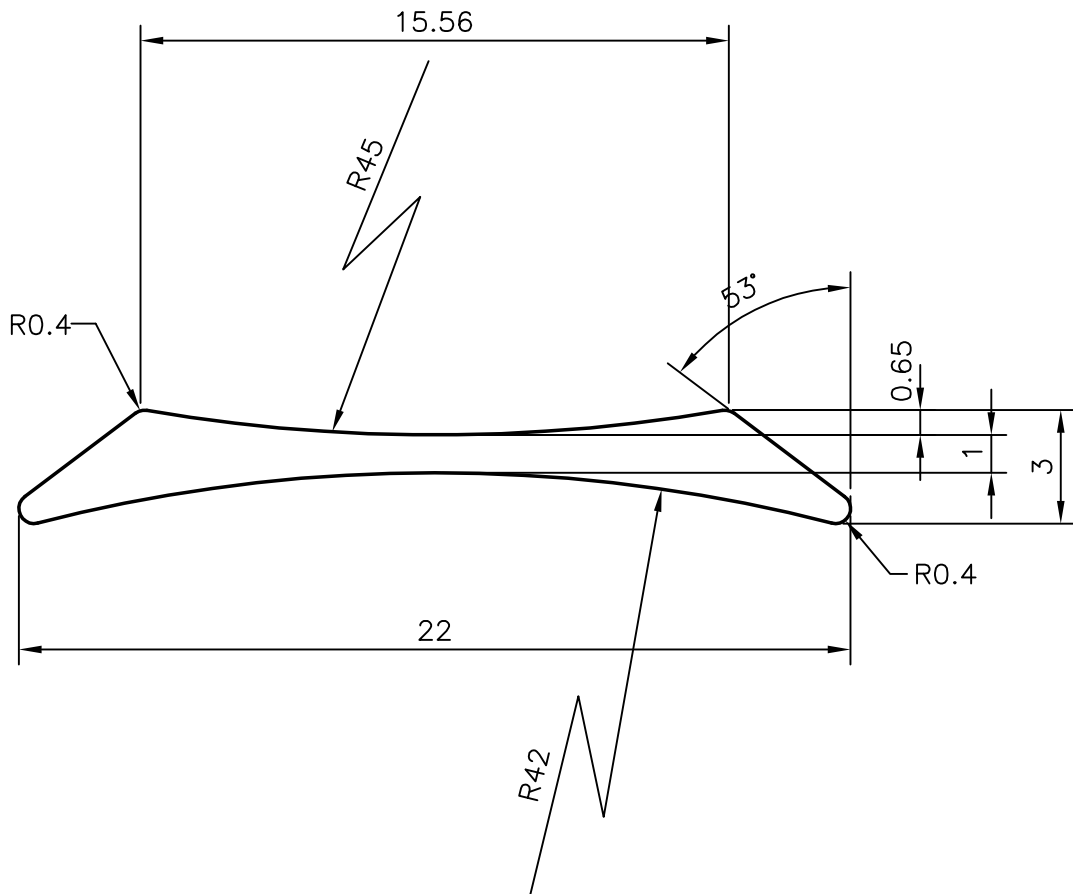


5055

23104



1:1



**JINDAL ALUMINIUM LTD.**

**BANGALORE-560073**

		NAME	DATE
		DRAWN	R.D.Sharma
1. ALL DIMENSIONS ARE IN mm. 2. ROUND OFF ALL SHARP CORNERS WITH 0.4 mm. 3. TOLERANCES WILL BE AS PER IS: 3965-1981 ,UNLESS OTHERWISE SPECIFIED		CHECKED	
		APPROVED	
PARTY'S NAME	—	SCALE	5:1
PARTY'S DRAWING No.	—	WEIGHT kg/m	0.088
ALLOY & TEMPER	HE9 WP	SECTION No.	23104
LENGTH	3658 mm.	DRAWING No.	
DESCRIPTION	BELT MOULDING	23104	