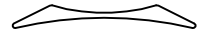
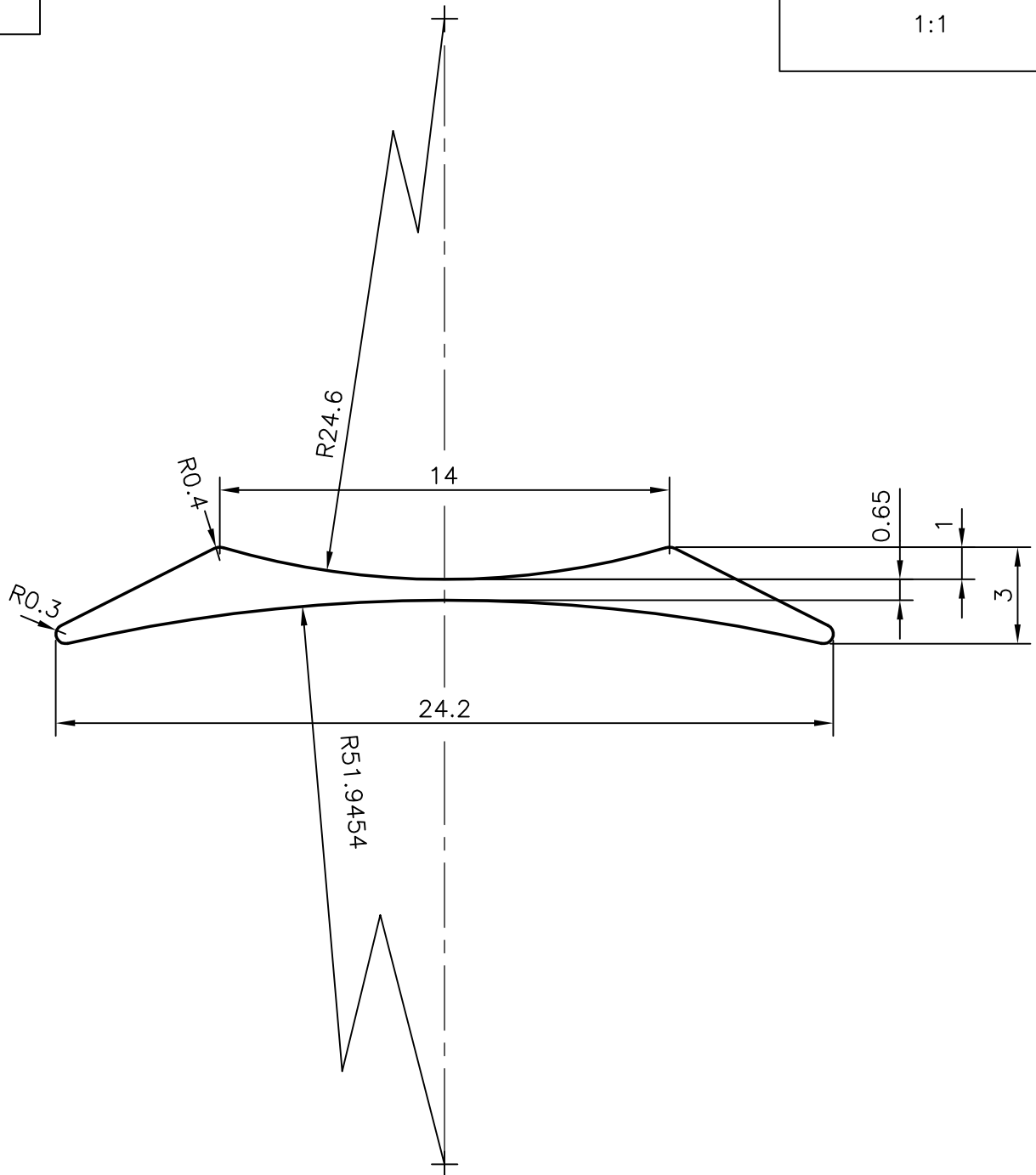


5056

23105



1:1



SYMBOL OF QUALITY
AN ISO 9001 COMPANY

JINDAL ALUMINIUM LTD.
BANGALORE-560073 (INDIA)

	NAME	DATE
DRAWN	J.P.KAUSHIK	09-03-2010
CHECKED		
APPROVED	S.S.GARG	09-03-2010
SCALE		5:1
AREA mm ²		29.431
PERIMETER mm.		50.616
WEIGHT kg/m		0.079

1. ALL DIMENSIONS ARE IN mm.
2. ROUND OFF ALL SHARP CORNERS WITH 0.40 mm.
3. TOLERANCES WILL BE AS PER IS:3965-1981 UNLESS OTHERWISE SPECIFIED

PARTY'S NAME KARNATAKA METAL CO., BANGALORE

PARTY'S DRAWING No. -

ALLOY & TEMPER HE9 WP

DESCRIPTION BELT MOULDING SECTION

DRAWING No.	SECTION No.
5056	5056
23105	23105