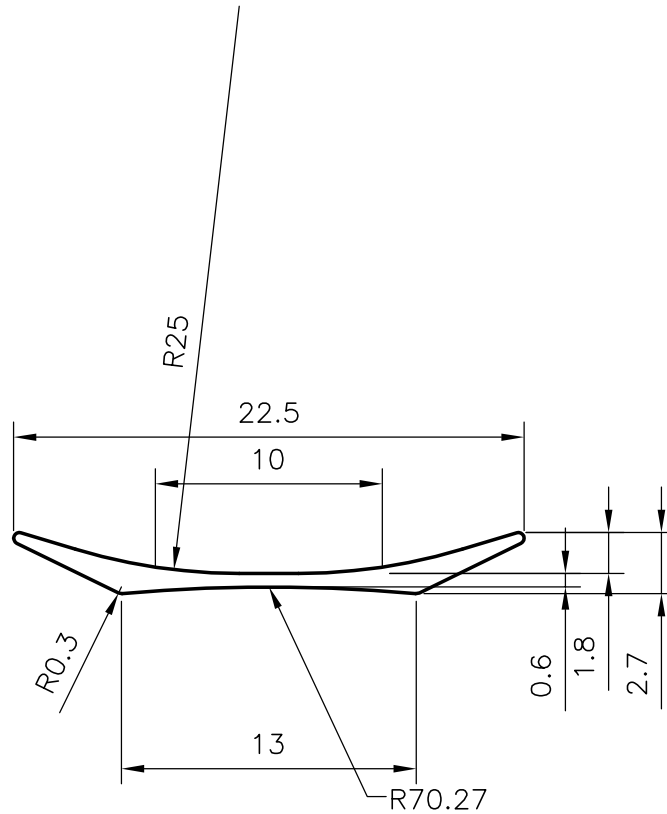


5057

23106



SCALE 1:1



SYMBOL OF QUALITY
AN ISO 9001 COMPANY

JINDAL ALUMINIUM LTD.
BANGALORE-560073 (INDIA)

	NAME	DATE
DRAWN	RAGHAVENDRA	06-11-2004
CHECKED		
APPROVED		

1. ALL DIMENSIONS ARE IN mm.
2. ROUND OFF ALL SHARP CORNERS WITH 0.40 mm.
3. TOLERANCES WILL BE AS PER IS:6477-1983 UNLESS OTHERWISE SPECIFIED

SCALE	1:1
AREA mm ²	4541.191
PERIMETER mm.	439.278
WEIGHT kg/m	0.055

PARTY'S NAME	—	DRAWING No.	5057	SECTION No.	5057
PARTY'S DRAWING No.	—		23106		23106
ALLOY & TEMPER	HE9 WP				
DESCRIPTION	BUS GOLA				