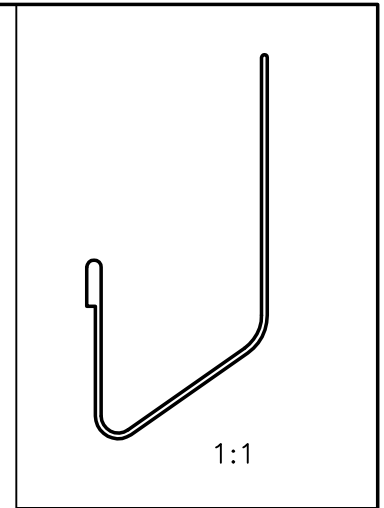
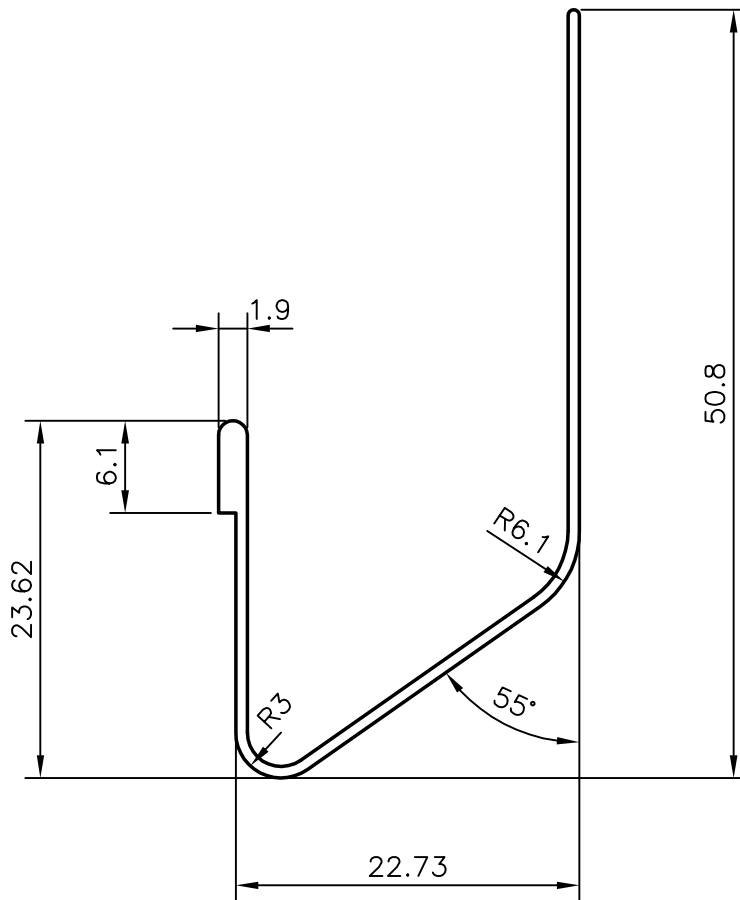


5144

23160



1:1

GENERAL WALL THICKNESS :- 0.76 mm.

WEIGHT PER PIECE :- 0.700 kgs. (AVERAGE)

JINDAL ALUMINIUM LTD.**BANGALORE-560073**

JINDAL ALUMINIUM LTD. BANGALORE-560073		NAME	DATE
		DRAWN	R.D.Sharma
1. ALL DIMENSIONS ARE IN mm. 2. ROUND OFF ALL SHARP CORNERS WITH 0.4 mm. 3. TOLERANCES WILL BE AS PER IS: 3965-1981 ,UNLESS OTHERWISE SPECIFIED		CHECKED	
		APPROVED	
PARTY'S NAME	GENERAL CATEGORY	SCALE	2:1
PARTY'S DRAWING No.	NIL	WEIGHT kg/m	0.191
ALLOY & TEMPER	HE9 WP	SECTION No.	23160
LENGTH	3658 mm.	DRAWING No.	
DESCRIPTION	J-GUTTER	23160	