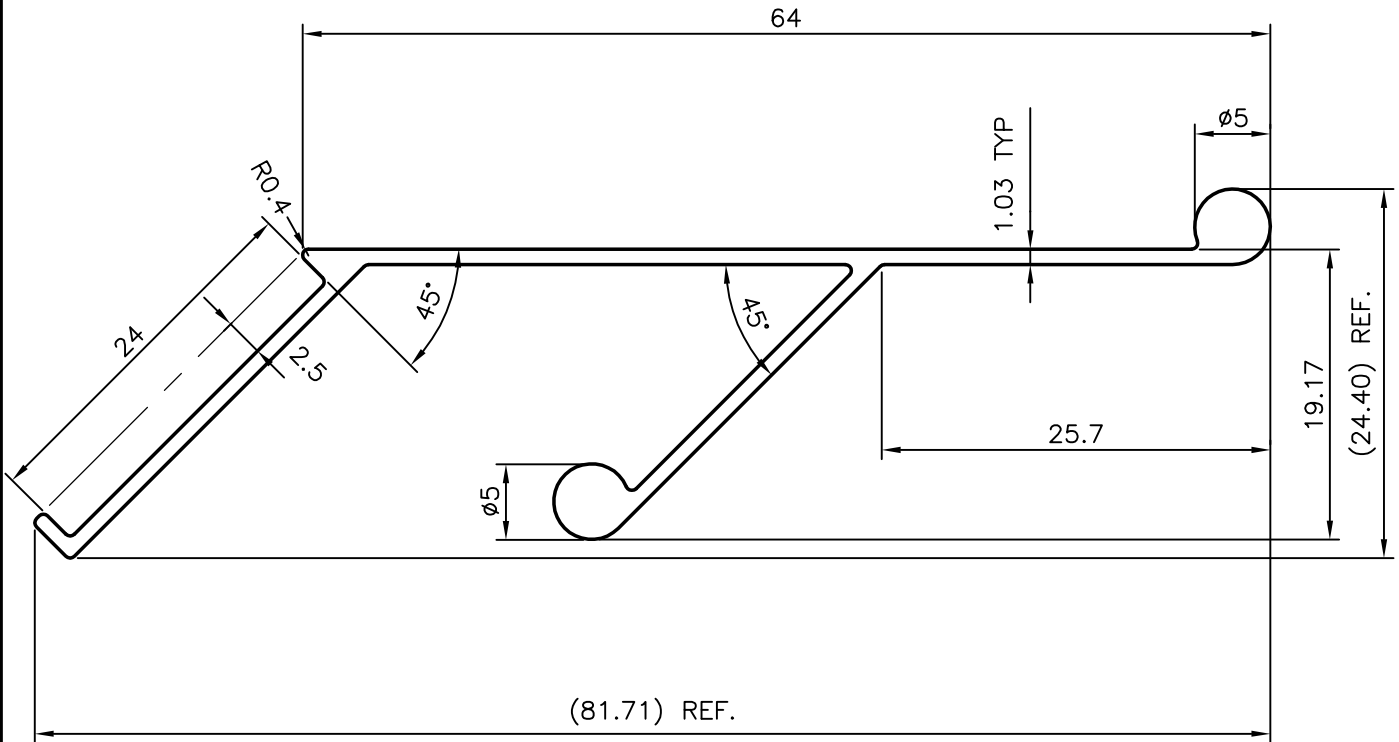
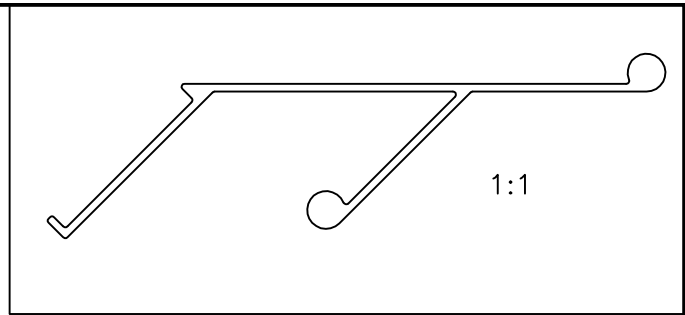


P-5656

23161



AVERAGE WEIGHT:- 1.547 kg/ 3658 mm.

GENERAL WALL THICKNESS = 1.03 mm



SYMBOL OF QUALITY
AN ISO 9001 COMPANY

JINDAL ALUMINIUM LTD.
BANGALORE-560073 (INDIA)

	NAME	DATE
DRAWN	MALINGAPPA	11-07-2005
CHECKED		
APPROVED		
SCALE		2:1
AREA mm ²		156.621
PERIMETER mm.		246.748
WEIGHT kg/m		0.423
DRAWING No.	SECTION No.	
P-5656	-	
23161	23161	

1. ALL DIMENSIONS ARE IN mm.
2. ROUND OFF ALL SHARP CORNERS WITH 0.40 mm.
3. TOLERANCES WILL BE AS PER IS:3965-1981 UNLESS OTHERWISE SPECIFIED

PARTY'S NAME	GENERAL CATEGORY, KOLKATTA MARKET
PARTY'S DRAWING No.	AS PER SAMPLE/WT.
ALLOY & TEMPER	HE9 WP
DESCRIPTION	WATER CHANNEL-SPECIAL