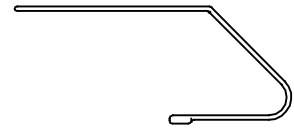


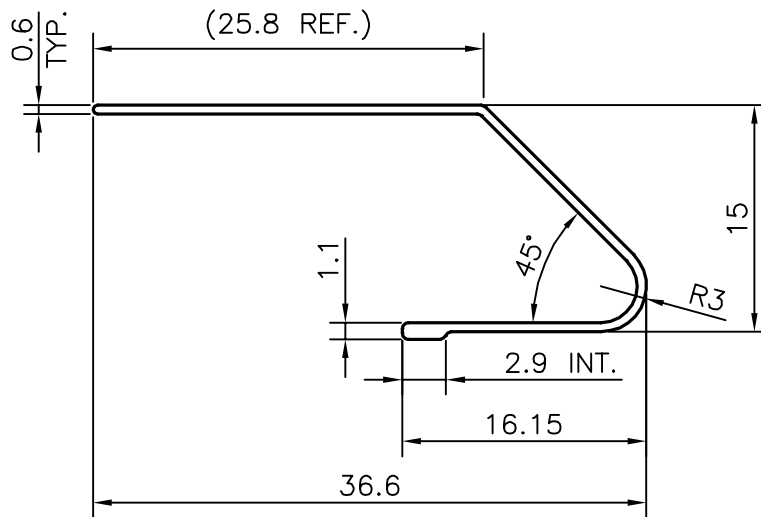
P-16239

23163

-




scale 1:1



PLEASE CONFIRM ALL THE DIMENSIONS AND MATCH WITH YOUR MATCHING COMPONENT

PLEASE SPECIFY THE EXPOSED SURFACE IN THE DRAWING WHEREVER BETTER FINISH REQUIRED.

 SYMBOL OF QUALITY AN ISO 9001 COMPANY	JINDAL ALUMINIUM LTD. BANGALORE-560073 (INDIA)	DRAWN	NAME	DATE
		CHECKED	KIRAN	18-08-2016
1. ALL DIMENSIONS ARE IN mm. 2. ROUND OFF ALL SHARP CORNERS WITH 0.40 mm. 3. TOLERANCES WILL BE AS PER IS:3965-1981, UNLESS OTHERWISE SPECIFIED		APPROVED	S.S. GARG	06-09-2016
		SCALE		2:1
PARTY'S NAME GENERAL CATEGORY, DELHI MARKET		AREA	mm ²	36.774
		PERIMETER	mm.	119.425
PARTY'S DRAWING No. AS PER SAMPLE		WEIGHT	kg/m	0.099
		DRAWING No.		SECTION No.
ALLOY & TEMPER HE9 WP		P-16239		-
		23163		23163
DESCRIPTION GUTTER SECTION		-		-